



ASSEMBLY INSTRUCTIONS

OVAL POOLS

WITH SIDE SUPPORTS
Trevi 211 / 213

Dear Customer

Congratulations! You have purchased a pool of superior quality and durability. To achieve the best possible results, follow the instructions carefully. Failure to follow the installation procedures may result in damage to your pool or property and void your warranty. We recommend that you make a preliminary study of the instruction booklet to familiarize yourself with the different parts of your pool. Make sure that you understand each step thoroughly before you begin assembling.

We wish you a most pleasant and refreshing summer.

We strongly recommend having your pool installed by a professional.

WARNING: Be sure you have read and understand the “Safety Information” sheets before you begin your pool installation.



WARNING: For your safety, your pool is not designed for diving and/or jumping head first. Please do not dive. Diving may result in permanent injury or death.

1

SITE PREPARATION

Chart 1.1 - Grass removal area (Figure 1.1)

MODEL	DISTANCE (A-B)	RADIUS (R)	WIDTH (D)	TOTAL LENGHT (E)	CORRIDOR (F)
10'x16'	1.82m (6' 0")	1.67m (5' 6")	3.35m (11')	5.18m (17' 0")	2.08m (6' 10")
10'x19'	2.75m (9' 0")	1.67m (5' 6")	3.35m (11')	6.09m (20' 0")	2.99m (9' 10")
10'x22'	3.65m (12' 0")	1.67m (5' 6")	3.35m (11')	7.01m (23' 0")	3.91m (12' 10")
12'x18'	1.82m (6' 0")	1.98m (6' 6")	3.96m (13')	5.79m (19' 0")	2.08m (6' 10")
12'x21'	2.75m (9' 0")	1.98m (6' 6")	3.96m (13')	6.70m (22' 0")	2.99m (9' 10")
12'x24'	3.65m (12' 0")	1.98m (6' 6")	3.96m (13')	7.62m (25' 0")	3.91m (12' 10")
15'x24'	2.75m (9' 0")	2.43m (8')	4.87m (16')	7.62m (25' 0")	2.99m (9' 10")
15'x30'	4.57m (15' 0")	2.43m (8')	4.87m (16')	9.44m (31' 0")	4.82m (15' 10")
18'x33'	4.57m (15' 0")	2.89m (9' 6")	5.79m (19')	10.36m (34' 0")	4.82m (15' 10")

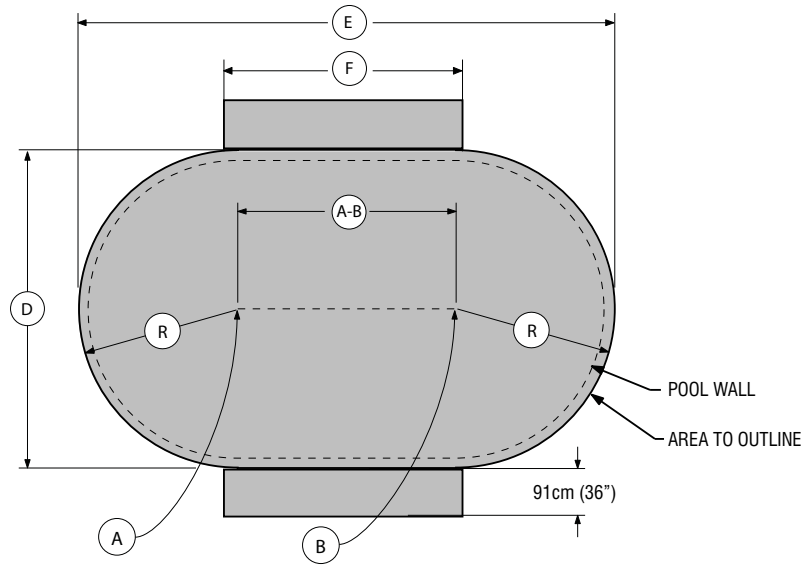
When selecting the site for your pool, take into account city by-laws regarding fences and utilities laws pertaining to electrical cables as well as the landscaping which you are planning once the pool is installed.

1

SITE PREPARATION (continued)

- 1) Drive a stake into the ground at points A and B respecting the distance of the straight section between those two points (A-B).
- 2) Draw two half circles respecting the radius (R).
- 3) Join the two half circles with straight lines respecting the width between these two lines (D).
- 4) Verify that the total length is consistent. (E)
- 5) Add 89cm (36") wide trenches on each side, respecting the length (F).
- 6) Remove all grass from the area you have just outlined.

Figure 1.1



2

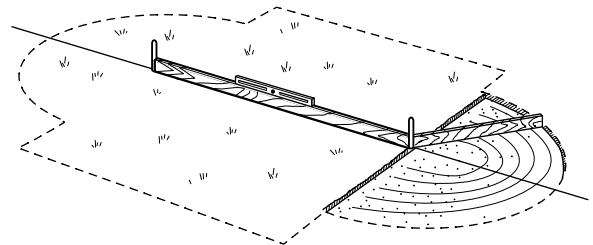
SITE LEVELLING

SITE LEVELLING

For an oval pool, the bottom must absolutely be levelled, using a carpenter's level and a straight plank. Eliminate any protrusions. Ensure that the surface is free of debris such as rocks, wood, etc.

TRENCHES FOR BUTTRESS ASSEMBLIES

- 1) Dig trenches to a depth equal to the thickness of the patio blocks (2" thick slabs recommended). (Refer to illustrations for trench layout details).
- 2) Make sure trenches are smooth and leveled without compacting them.
- 3) Place and level patio blocks into trenches. Make sure that the top of the slab is level with the pool area. And bottom of framework must be level with pool area.



In order to ensure proper water drainage around the pool, a 2-degree slope needs to be erected around the perimeter of the pool. THE MANUFACTURER WILL NOT BE HELD RESPONSIBLE FOR ANY LIABILITY SHOULD THIS STEP BE OMITTED.

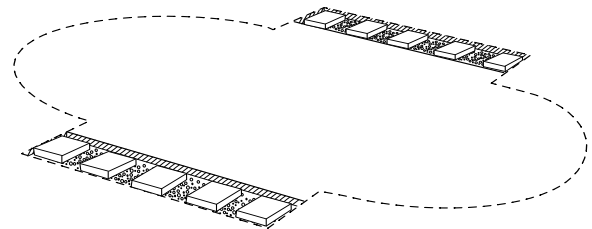


Chart: Sand quantity

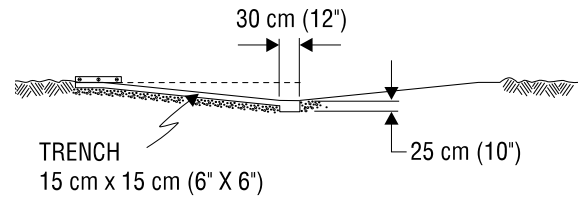
POOL SHAPE	10x16, 10x19	10x22, 12x18, 12x21, 12x24	15x24, 15x30	18x33
SAND	1 ton	1 - 1/2 tons	2 tons	3 tons

3

BOTTOM DRAIN ASSEMBLY (if applicable)

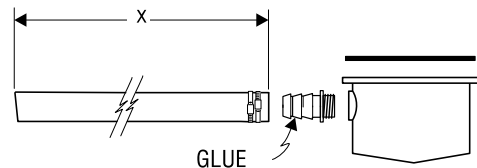
Dig a hole 30 cm (12") wide by approximately 25 cm (10") deep in the center of the circumference.

From the center hole to the projected location of the pool motor, dig a 15 cm (6") wide trench. Place the removed soil aside to be used later to cover the hose.



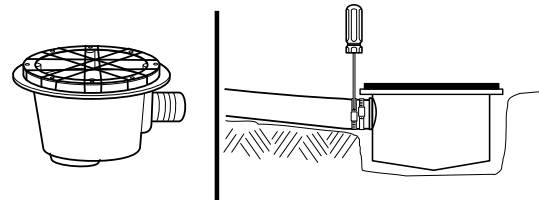
Bottom Drain Assembly

Place teflon tape around the threaded plug. Screw in drain holes using large pliers. Glue the connector in the appropriate opening.



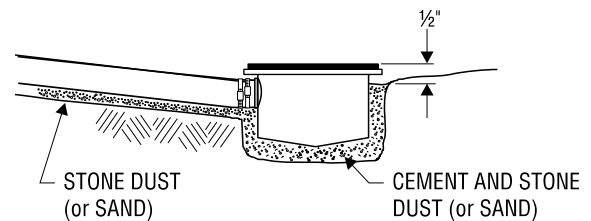
Take one of the two rubber rings and adjust it to the top of the drain, aligning the holes carefully. Secure with strips of adhesive tape to prevent sand from penetrating inside the holes once the drain has been installed.

Secure one end of the long black or white hose inside the drain spout. First apply glue on the drain spout and inside the drain end, then secure with one or two collars.



Cut the hose so that it ends with the stone dust (or sand). Measure the pool radius from the center of the drain, then add 15 cm (6").

Place the assembled bottom drain in the hole so that it is approximately 1.3cm (1/2") higher than the surface soil. Bury the hose, levelling the drain as much as possible. Compact the soil, using your feet and a tampering tool as well.



Mix three (3) shovels of stone or sand dust with one half shovel of pure cement, adding a small quantity of water, then pour the cement around the drain until it reaches 1.3 cm (1/2") from the top.

4

TENSION STRAPS ASSEMBLY

1) Study illustrations and chart carefully. You are now ready to assemble the metallic tension straps. Refer to indications on the chart for the exact number of tension straps per row according to their respective pool size.

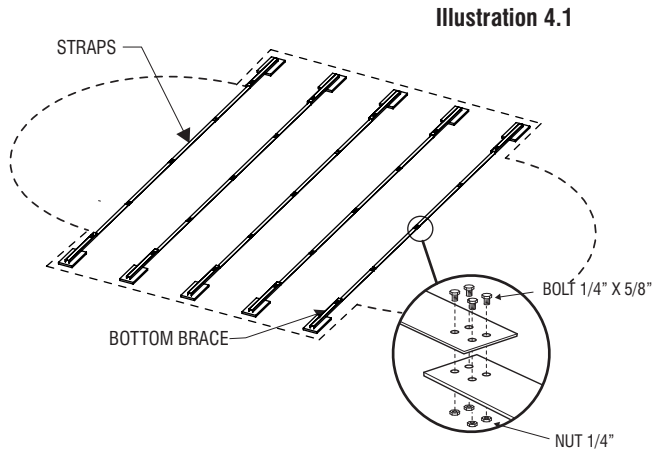
Chart

POOL SIZE	10x16	10x19	10x22	12x18	12x21	12x24	15x24	15x30	18x33
TENSION STRAPS QUANTITY (TOTAL)	9	12	15	9	12	15	16	24	30
ROWS TO ASSEMBLE	3	4	5	3	4	5	4	6	6
STRAPS PER ROW	3	3	3	3	3	3	4	4	5

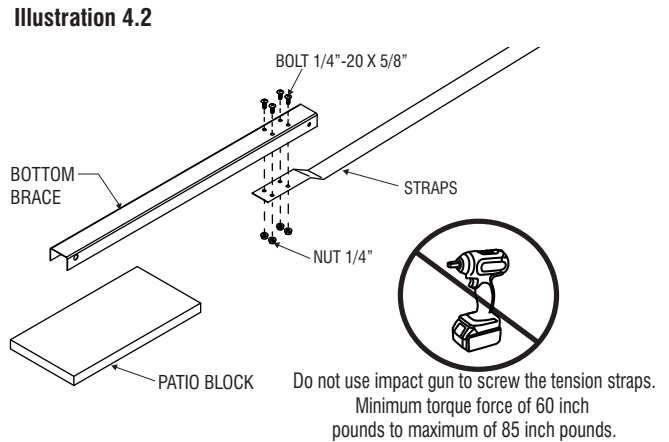
4

TENSION STRAPS ASSEMBLY (continued)

2) Refer to Illustration 4.1: If there is more than one metallic strap per row, assemble the straps together using 4 bolts and nuts (BB) 1/4" #20 X 5/8" (6,35 mm X 15,88 mm), taking care of placing the bolt head on top.



3) Refer to Illustration 4.2.: Attach the assembled tension straps to bottom braces on both sides, using four (4) bolts and nuts (BB) 1/4" #20 X 5/8" (6,35 mm X 15,88 mm), taking care of placing the bolt head on top.



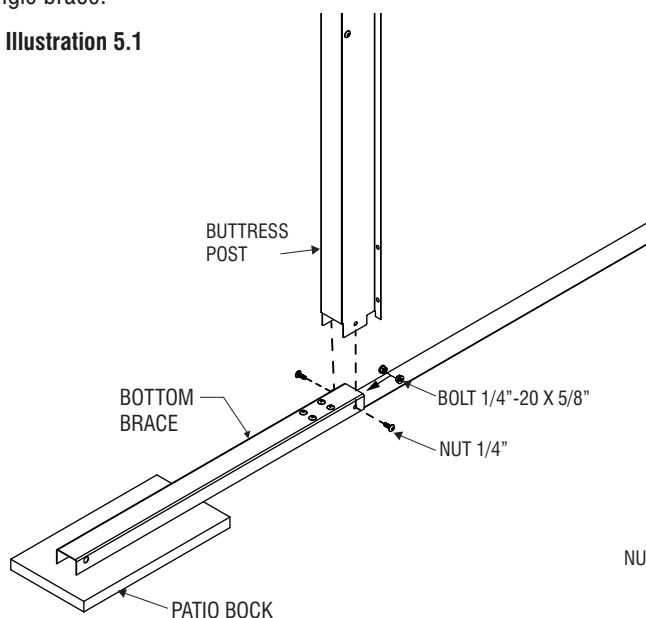
5

BUTTRESS POSTS ASSEMBLY

1) Refer to Illustration 5.1. Assemble the buttress post to the bottom brace using two (2) bolts and nuts (BB) 1/4" #20 X 5/8" (6,35 mm X 15,88 mm).

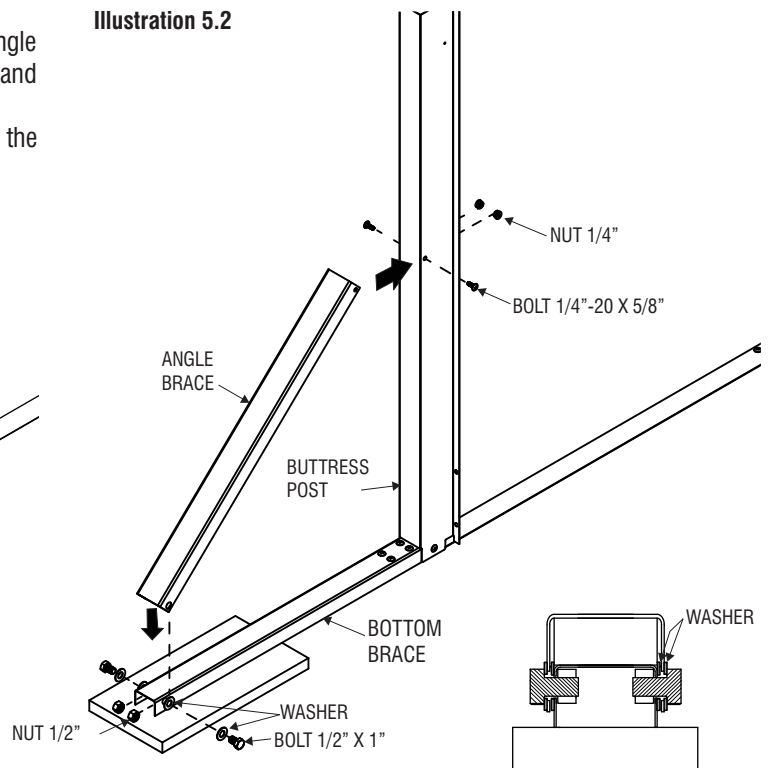
2) Refer to Illustration 5.2. Assemble the lower part of the angle brace using bolts and nuts 1/2" X 1" (12,7 mm X 25,4 mm) and four (4) washers, two on each side. Remember to insert one washer between the bottom brace and the angle brace.

Illustration 5.1



Next, assemble the other side of the angle brace to the buttress post with two (2) bolts and nuts (BB) 1/4" #20 X 5/8" (6,35 mm X 15,88 mm).

Illustration 5.2



6

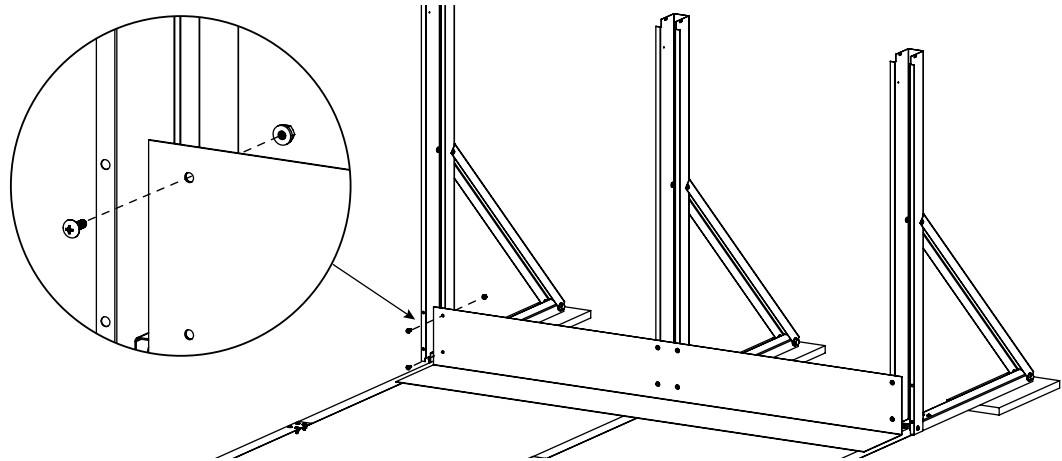
BEARING PLATE ASSEMBLY

1) Position the buttress posts assembled in step 5 on the patio blocks in the trenches previously placed.

2) Refer to **Illustration 6.1** : Once the buttress posts are placed on the patio blocks, assemble the bearing plate in front of the but-

truss posts and on the tension straps. Fix the bearing plate using eight (8) bolts and nuts (BB) 1/4" #20 X 5/8" (6,35 mm X 15,88 mm), taking care of placing the bolt head on bearing plate and nut on buttress post.

Illustration 6.1



7

ROUND SECTION BOTTOM TRACKS ASSEMBLY

Start with round section, refer to illustration 7.1 :

Assemble the track fastener at the bottom of the four buttress posts with bolt and nut 1/4" #20 X 5/8" (6,35 mm X 15,88 mm). Inset the short end of the first round section bottom track in the fastener at the bottom of the last buttress post of the straight section. Place the first bottom plate of the round section, at the other end of the bottom track.

Round section, refer to Illustration 7.2 :

Using the round section bottom tracks and the bottom plates, start with the first plate of the round section. Repeat this procedure until the half circle is completed.

Refer to Illustration 7.3. :

Before going to the next step, make sure that the centre of the pool is properly squared and the metallic tension straps are straight with no buckles.

Illustration 7.3

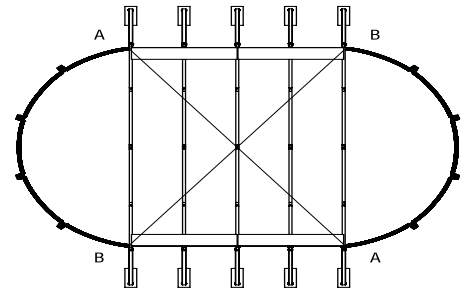


Illustration 7.1

*Resin track 211 only.

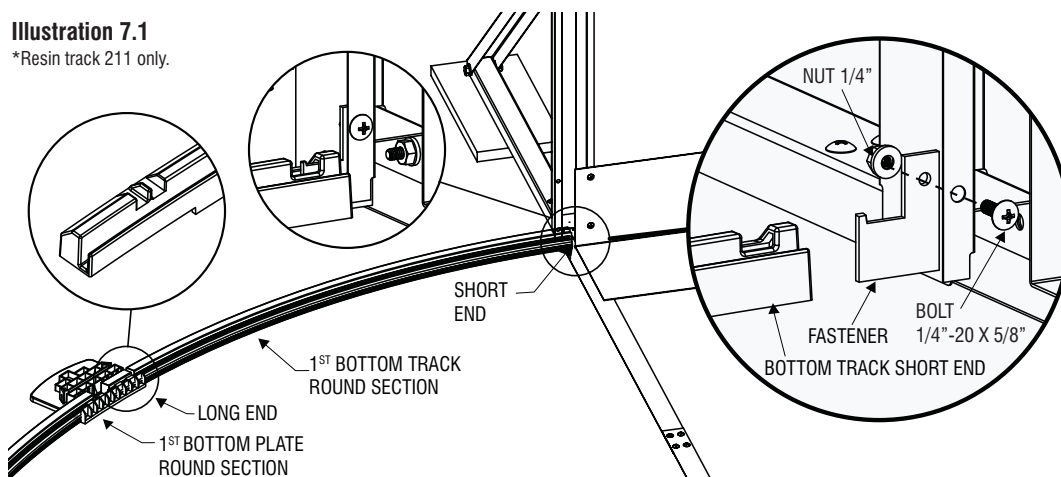
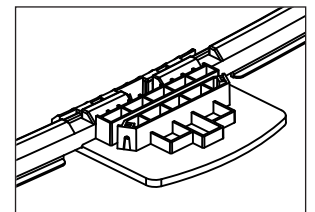


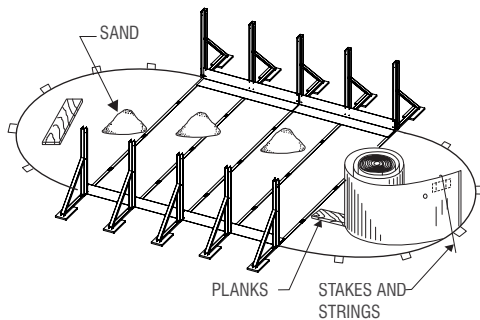
Illustration 7.2



Add sand.

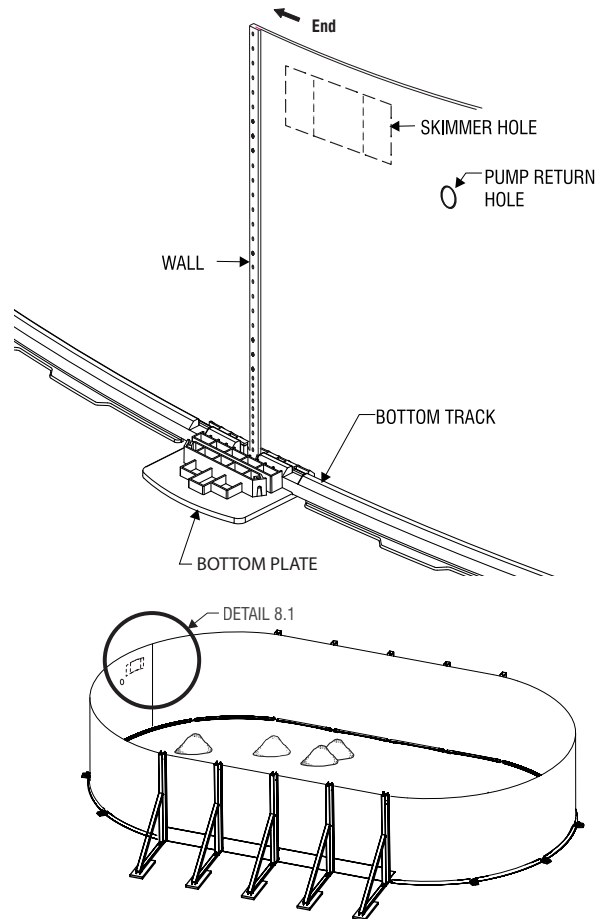
Choose the filter location beside a round section (never in a straight section). The starting point should be at that location where the skimmer and return holes are, and as close as possible to the filtration system. **When installing the steel wall, it is important to do so in a location protected from the wind or on a day without any wind.**

Before uncoiling the wall, make sure the pre-punched holes for the skimmer and pump return are at the top and facing the planned location of your filter.



Begin inserting the wall into the bottom tracks in the middle of a bottom plate. At first, the wall is kept in place with one or two stakes and strings (or extra persons). One person uncoils the wall on a beam or a plank, while a second person inserts it in the bottom tracks. Do not uncoil more than 3 m (10') of wall before you install a support bar or stake and string to reinforce the structure.

Once the wall is completely uncoiled, you may find that it is too long or that both ends do not meet by a few centimetres. If such is the case, adjust tracks and bottom plates until wall holes line up. If this does not work, roll up the wall again, check measurements as per Illustration 1.1, adjust tracks and plates, if applicable, and uncoil the wall again. If the spread is too wide, measure the wall and check it against the chart below.

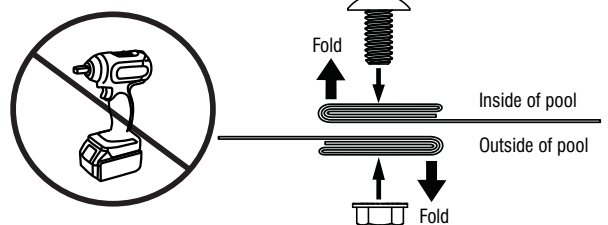
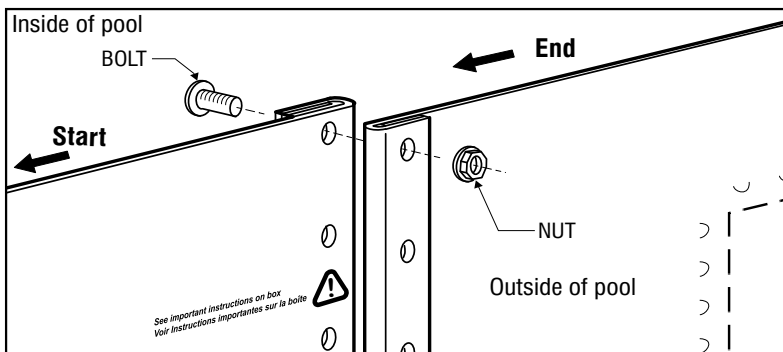


Join both ends of the wall by orienting folds outward to hide the exclamation icon. (Illustration 8.1)

Note: If the wall is attached properly, you should no longer see the exclamation icon. If you can always see the icon, you must reverse the overlap.

Insert bolts and nuts in every hole and tighten with wrench (screw head on water side of wall). Tape over screw heads with duck tape.

Illustration 8.1



WARNING: Never use an impact gun for wall screws. Minimum torque force of 60 inch pounds to maximum of 85 inch pounds.



IMPORTANT! A non-compliance installation according to manufacturers' instruction will void the warranty. A faulty installation will cause the wall or joint to split open which could result in serious and/or fatal injuries!

Chart

MODELS	10x16	10x19	10x22	12x18	12x21	12x24	15x24	15x30	18x33
ACTUAL LENGHT OF THE WALL	43' 8" (13,30m)	49' 8" (15,14m)	55' 9" (17,00m)	49' 8 1/2" (15,16m)	55' 9 3/8" (17,00m)	61' 9 3/8" (18,83m)	65' 2 1/2" (19,88m)	77' 2 1/2" (23,53m)	86' 7 1/2" (26,40m)

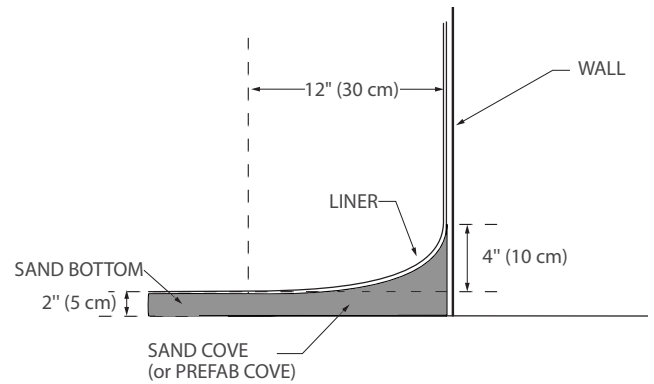
9

SAND BASE FINISHING

You can now spread approximately 4" (10 cm) of compacting sand all around the inside base of the wall in order to protect the liner from the sharp edges of the bottom wall tracks and the stone dust (if applicable), or install a prefabricated cove if available.

SAND BASE FINISHING

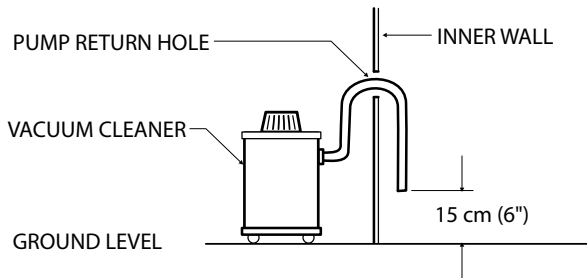
Level finishing sand one last time. Make sure that any sharp stones, debris or roots have been removed from the surface. For better protection, spray sand with water and pack it once more until the base is smooth and even.



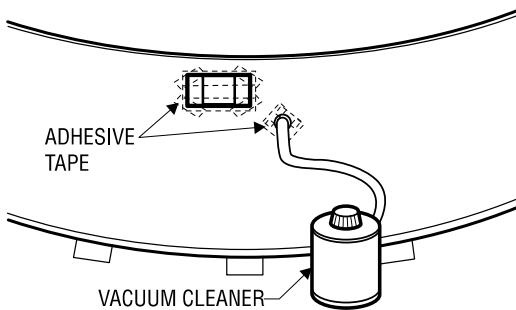
10

VINYL LINER INSTALLATION

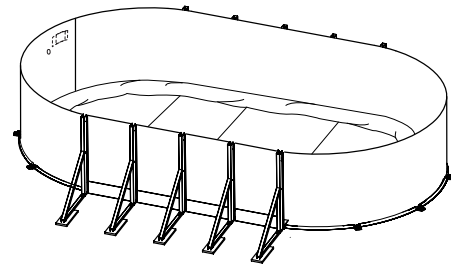
Before pulling the liner up against the wall, insert a vacuum cleaner hose down into the pump return hole to approximately 15 cm (6") from the ground.



Maintain the hose in place with adhesive tape. Don't forget to block the skimmer hole with adhesive tape to prevent air from leaking in.



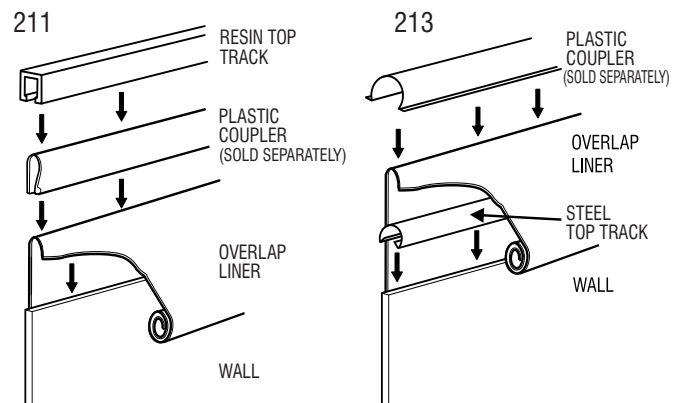
Place the unfolded liner in the center of the pool area at right angles with the skimmer hole. Make sure you wear light, flat-soled shoes to walk on the sand as the slightest heel mark could be visible once the pool is filled.



Carefully unfold the liner, bringing the bottom-sidewall seam close to the wall base. Make sure that the side with the protruding seams faces downward or that the patterned side faces upward.

Lift up a section of the liner over the top of the wall leaving a 10 cm to 15 cm (4" to 6") fringe outside the wall. Secure the liner with a plastic coupler (sold separately). Install the top track on the wall then install the top plates on top of each upright.

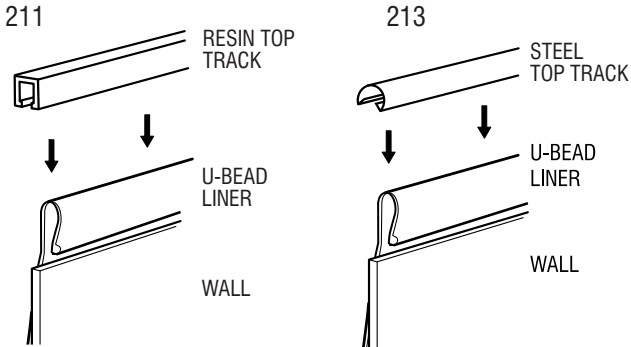
At this point, the liner may be too tight, making it difficult to drape the overlap or, on the contrary, too loose. In such cases, you will have to redistribute the tension in the liner by removing some of the couplers and readjusting the liner.



10

VINYL LINER INSTALLATION (continued)

Installation detail of a bead liner with top track.
Hang the liner on the top of the wall and install the top track to secure.



Start the vacuum cleaner to allow the liner to adhere to the wall and check for excess tension at the bottom or for wrinkles. Adjust the liner by removing wrinkles if needed, lift or lower it in order to ensure a perfect fit.

Fill the pool with water up to the base of the wall before stopping and removing the vacuum cleaner.

PUMP RETURN FITTING

After you remove the vacuum cleaner, you may install the return fitting. Place the return fitting ring against the liner and adjust it so that it is perfectly aligned with the hole in the wall. When the ring is properly positioned and secured, cut the liner in the middle of the ring.

Insert the return fitting from the inside, placing the first gasket between the return fitting and the liner and the second between the wall and the liner. Then tighten the outside ring with large pliers, taking care not to crease the liner.

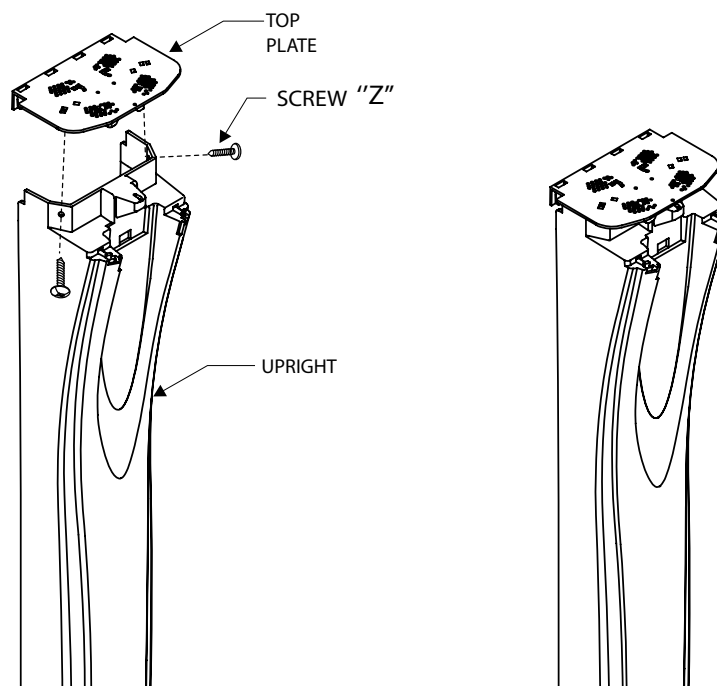
BOTTOM DRAIN (optional)

Find the holes through the middle of the liner and screw the ring and gasket in against the liner before cutting the liner in the middle of the ring, then screw on the drain cover.

11

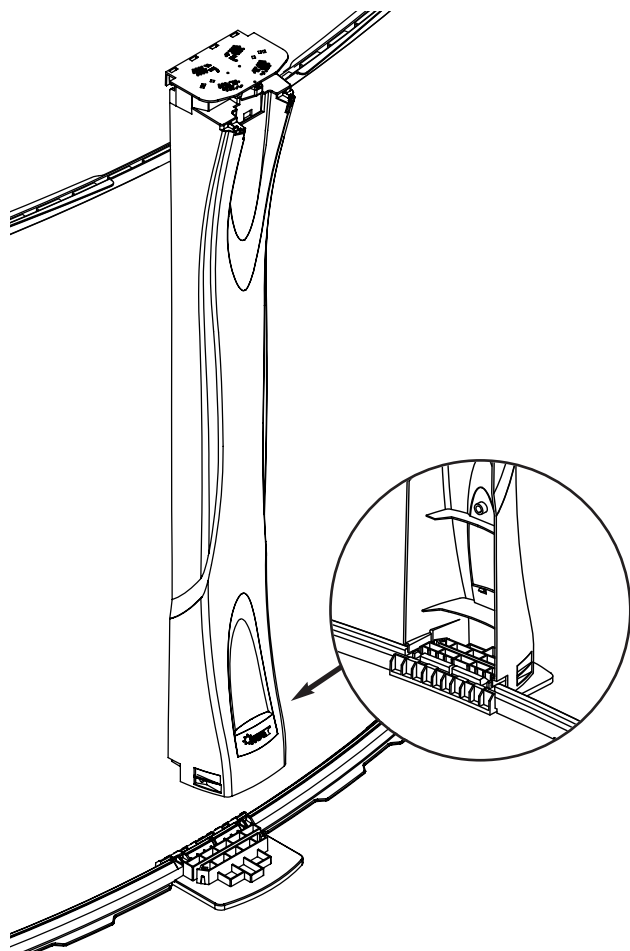
UPRIGHT POST TOP PLATE (round section)

Put the top plate on the upper side of the upright, and secure with two (2) screws "Z" on each side.



12

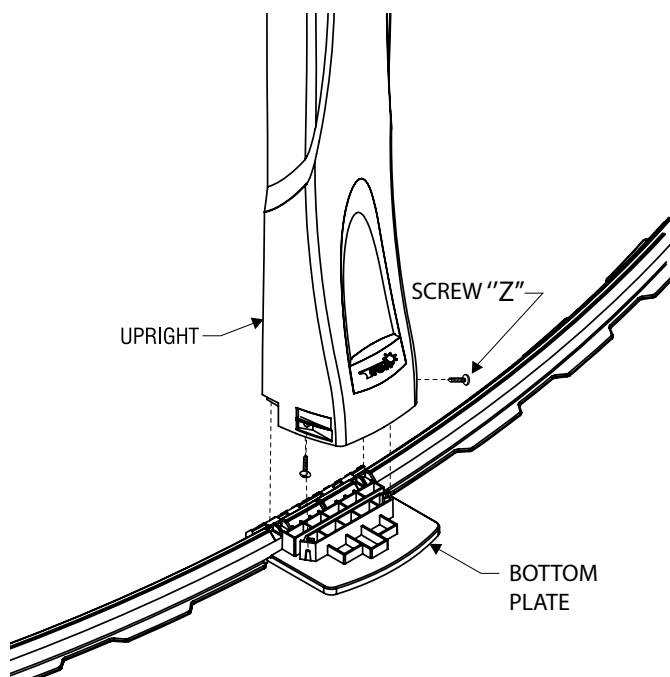
UPRIGHT POST INSTALLATION



For the round section:

Attach the uprights to the bottom plate with two (2) screws "Z", which you will find in the hardware bag.

Uprights must be installed outside the flanged part of the bottom plate and into the two notches of the bottom track.

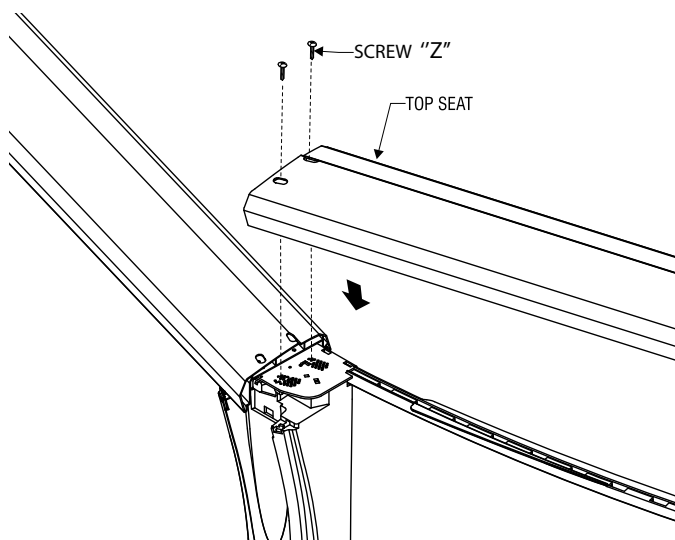


13

TOP SEAT INSTALLATION

Be sure to have a vertical (plumb) upright before fixing the top seat.

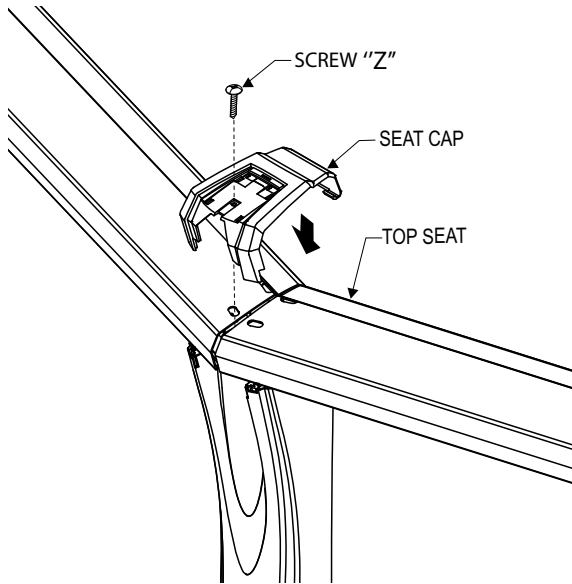
Place the top seat on the upper side of the upright.
Center the top seat between the two uprights and secure with four (4) screws "Z".



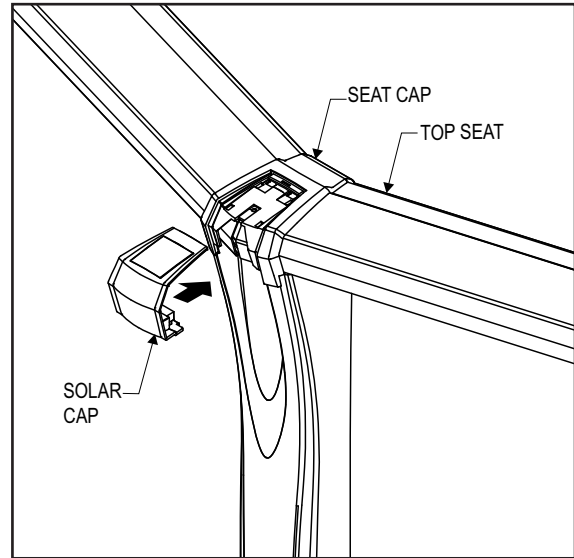
14

SEAT CAP INSTALLATION

Put the seat cap on the inside section of the seat and interlock with the upright. Secure the seat cap with one (1) screw "Z".



Snap the solar cap on top of the seat cap and interlock it on the bottom.



15

SECURITY LABELS INSTALLATION

The homeowner is responsible to install all safety labels.

SSE Labels (4) :

The safety labels shall be visible from any potential entry points of the pool. Also, make sure to install safety labels at all access points of your yard.

PAPTH Label (1) :

The safety label shall be placed at the entrance of the pool, visible and never covered.



Important: if you require additional labels, please contact us at Trevipools.com

16

FILTRATION SYSTEM ASSEMBLY

Assemble skimmer, inlet, drain, filter, pumps, hoses according to separate manufacturer's instructions.

Note: See 'Safety Information' Manual.

17

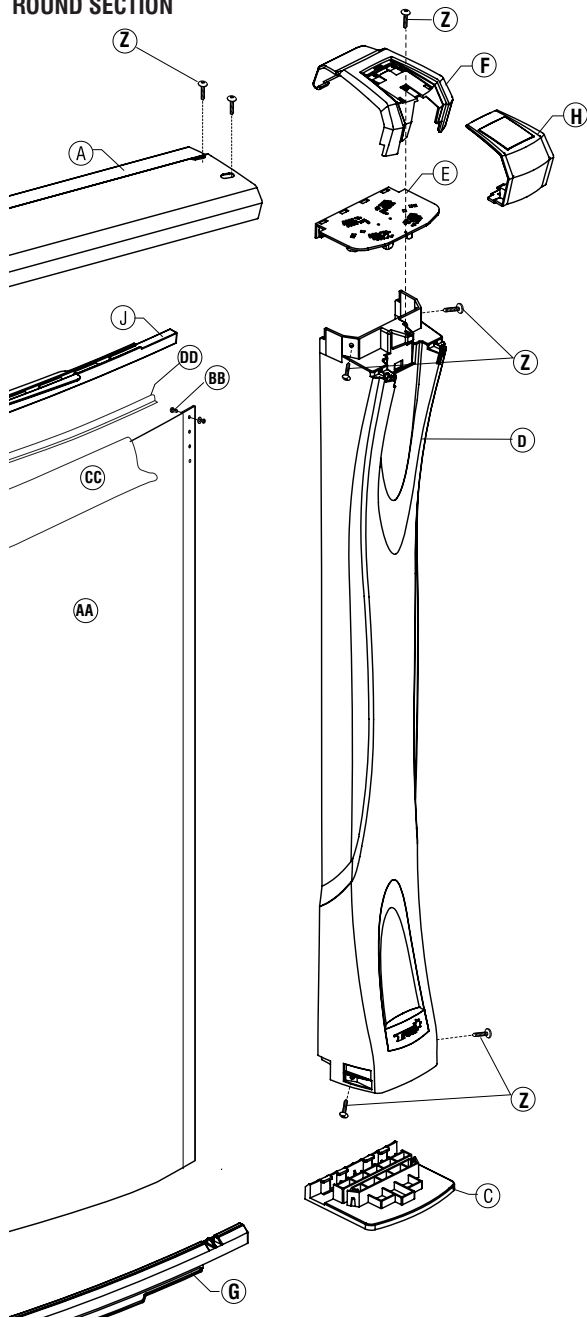
PARTS LIST

* SEE DRAWING PARTS NEXT PAGE

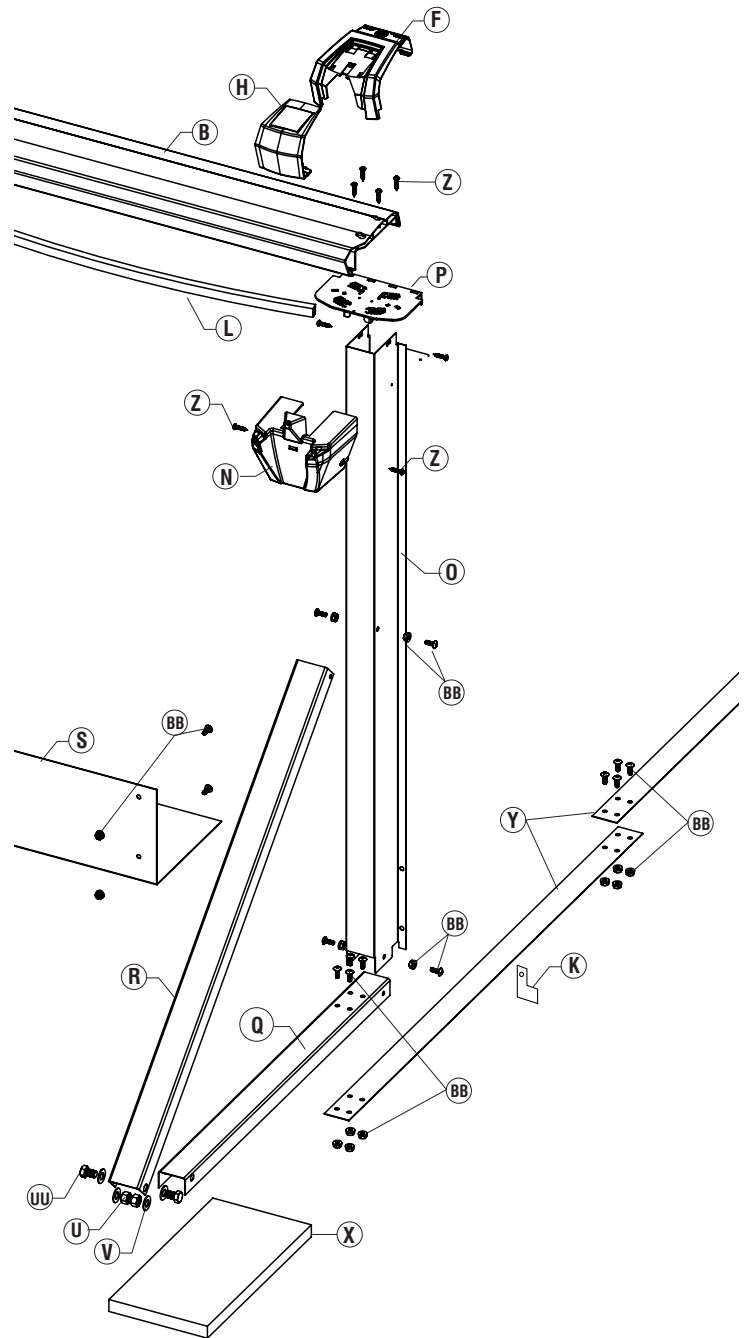
ITEM	DESCRIPTION
AA	POOL WALL (finished length, inch)
BB	BOLT & NUT FOR 52" (OR 54") WALL
CC	POOL LINER
DD	PLASTIC COUPLER (SOLD SEPARATELY)
A	TOP SEAT - ROUND SECTION
B	TOP SEAT- STRAIGHT SECTION
C	BOTTOM PLATE
D	UPRIGHT 52" or UPRIGHT 54"
E	TOP PLATE - ROUND SECTION
F	SEAT CAP
G	BOTTOM TRACK - ROUND SECTION
H	SOLAR CAP
J	TOP TRACK - ROUND SECTION
BUTTRESS ASSEMBLY	
K	TRACK FASTENER
L	TOP TRACK - STRAIGHT SECTION
N	SEAT CAP EXTENSION - STRAIGHT SECTION
O	BUTTRESS POST
P	TOP PLATE - STRAIGHT SECTION
Q	BOTTOM BRACE
R	ANGLE BRACE
S	BEARING PLATE
U	BOLT 1/2" X 1" (12.7 mm X 25.4 mm)
UU	NUT 1/2" (12,7 mm)
V	WASHER 1/2" (12,7 mm)
X	PATIO BLOCK
Y	TENSION STRAP
BB	1/4" #20 X 5/8" (6,35 mm X 15,88 mm) SCREW & FLANGE NUT
Z	STANDARD SCREW (SCREW #14 , 1" LENGTH)

NOTE: Please confirm quantities with checklist included in each box.

ROUND SECTION



STRAIGHT SECTION



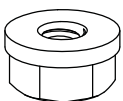
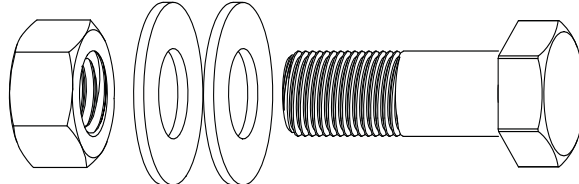
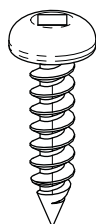
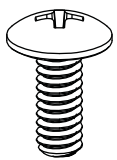
BB

Z

UU

V

U



SAFETY AND FUN GO TOGETHER!

SAFETY INFORMATION

Read this before installing your above-ground pool.



12 775, Brault Street, Mirabel, Quebec, Canada J7J 0C4
Phone: 1 888-777-0447

GENERAL INFORMATION

The pool is subject to wear and deterioration if not maintained properly. Certain types of excessive or accelerated deterioration can lead to failure of the pool's structure, which may release large quantities of water that could cause bodily harm, death and property damages.

In order to ensure proper water drainage around the pool, a 2-degree slope needs to be erected around the perimeter of the pool. THE MANUFACTURER WILL NOT BE HELD RESPONSIBLE FOR ANY LIABILITY SHOULD THIS STEP BE OMITTED.

Before installing your pool, you should check local regulations such as building codes, zoning requirements and electrical codes to determine whether a building permit or electricity permit is required to install your pool. Local regulations may ask you to make sure your backyard meets set-back requirements, install gates, barriers or other safety devices, or meet other conditions.

WARNING: All pool components, such as the filtration system, pump and heater and other objects, should be positioned so that people cannot use them to gain access to the pool or the deck. Positioning such objects too close to the pool may allow people access to the pool while unattended and may cause them serious injury or death.

We strongly recommend having your pool installed by a professional. We are not responsible for faulty installation of the pool, we are not affiliated with any pool installer and assume no responsibility or liability for the purchaser's or a professional installer's errors in installing your pool. **NO DIVING, NO JUMPING and PREVENT DROWNING** stickers are provided with your pool. These stickers must be affixed to the interior of the pool above the water line, or any place where the pool users can see them clearly before entering the pool. If you need more stickers or if some are missing, you can order these by calling 1 888-777-0447

Although we do not manufacture pool ladders, every pool must have an ANSI APPROVED pool ladder for proper entering and exiting of the pool. The proper use of the pool ladder by pool users is an integral part of general pool safety (Please refer to your pool ladder safety instructions).

SAFETY EQUIPMENT

For your protection and for the safety of others, we recommend that lifesaving equipment be on hand near the pool at all times.

We recommend that you purchase one of the following:

A light, strong and rigid pole, frequently referred to as a Shepard's Crook, at least twelve feet long or a throwing rope at least ¼ inch in diameter and as long as 1.5 times the maximum width or diameter of your pool. The rope should be firmly attached to a coast guard-approved buoy with an outside diameter of approximately 15 inches.

LADDER SAFETY

Although we do not manufacture ladders, the proper use of the ladder by pool users is an integral part of general pool safety.

NSPI standards require all pools to have an approved ladder attached for proper access to and from the pool. The purchaser should follow the pool ladder manufacturer's installation instructions.

Please follow these rules regarding the use of the ladder:

- Only one person on the ladder at a time.
- The user should face the ladder whether going in or out of the pool.
- **NO DIVING or JUMPING** from the ladder steps or the ladder's platform.
- Check all nuts and bolts regularly to make sure the ladder is safe.
- Inform others of the rules pertaining to the use of ladder and steps.

USAGE SAFETY INFORMATION

- 1** • Share safety instructions with family, friends, pool watchers or neighbors.
- 2** • The installer of the vinyl liner shall affix on the original or replacement liner, or on the pool structure, all safety signs in accordance with the manufacturer's instructions. The safety labels shall be placed above the water line.
- 3** • Never dive, jump or slide into an above ground swimming pool. Diving, jumping or sliding may result in permanent injury or death. Use a pool ladder or step to enter the pool smoothly, feet first. The owner must follow the ladder manufacturer's instruction and safety warning.
- 4** • Never swim alone.
- 5** • Don't enter the pool if you have been using alcohol or drugs, because your reaction time may be too slow.
- 6** • Adult supervision is always necessary. Never take your eyes off children or swimmers in the water or near the pool, not even for a minute. Designate an adult "pool watcher". Make sure that you or your pool watcher are able to intervene in less than 10 seconds to save a life or avoid injury.
- 7** • If a child is missing; always look in the pool first.
- 8** • Be proactive to prevent death or disability.
- 9** • The pool owner or "pool watcher" should learn CPR (CardioPulmonary Resuscitation) and should teach children and other people how to swim.
- 10** • Winter or solar covers are not intended to act as safety barriers. The cover must be completely removed when the pool is in use. A person may become trapped under a pool cover, which may result in severe bodily injuries, including death.
- 11** • Keep rescue equipment such as life rings and reaching poles etc, by the pool. Please consult you municipality to get a rescue equipment list.
- 12** • An emergency phone number such as: nearest available police, fire, ambulance and/or rescue unit, must be visible from pool area. A functioning and/or cellular phone must be reachable within 10 seconds.
- 13** • Avoid entrapments. Suction from a pool drain or skimmer can trap an adult or children underwater:
 - Hair can get caught in faulty drain cover.
 - Arms, legs and fingers can become lodged in a suction opening.
 - Any body part that can cover a drain can cause injuries.
 - Jewelry or bathing suits can become entangled in a faulty drain cove.A pool with broken, loose, missing or non compliant drain cover should be considered as dangerous and should not be used.
- 14** • Lighting, when installed, shall be in concordance with the National Electrical Code.
- 15** • During nighttime pool use, artificial lighting must be used to illuminate pool, all safety signs, ladders, steps, deck surface and walkways.
- 16** • All electrical appliances must be kept away from the pool, and not be reachable by pool users.
- 17** • The pool deck should be kept clean and clear of objects to avoid tripping or slipping. The deck should have a non-slip surface.
- 18** • Do not sit, dive, climb or stand on the top rails of the pool.
- 19** • It is important that all users be able to see the bottom of the pool. Foggy water must be cleared up before entering the pool.
- 20** • Steps and pool ladders should be secured and locked or removed when the pool is not in use. Swimming pool barriers or fences with self-latching and self-closing gates which prohibit children or other people from gaining access to the pool must be installed around the pool to avoid injury or death. The latch should be out of reach of children. Consult your municipality for more details and specifications.



INSTRUCTIONS D'ASSEMBLAGE

PISCINES OVALES

AVEC SUPPORTS LATÉRAUX

Trevi 211 / 213

Cher(e) client(e),

Félicitations, vous avez fait l'acquisition d'une piscine d'une qualité et d'une durabilité supérieures. Suivez les instructions attentivement pour obtenir les meilleurs résultats possibles. Toute dérogation à la marche à suivre peut occasionner des dommages à votre piscine ou à votre propriété et annuler votre garantie. Nous vous suggérons de lire attentivement les instructions au préalable afin de vous familiariser avec les différentes pièces de votre piscine. Assurez-vous de bien comprendre toutes les étapes avant de commencer l'assemblage.

Nous vous souhaitons un été des plus agréable et rafraîchissant.

Nous recommandons fortement de faire installer votre piscine par un professionnel.

AVERTISSEMENT : Assurez-vous d'avoir lu le manuel " Information de sécurité " avant de commencer l'installation de votre piscine.



AVERTISSEMENT : Votre piscine n'est pas conçue pour le plongeur et/ou les sauts tête première. Pour votre sécurité, abstenez-vous de plonger car ceci pourrait causer de graves lésions ou entraîner la mort.

1 PRÉPARATION DE L'EMPLACEMENT

Tableau 1.1 - Zones de déterrement (Figure 1.1)

NOM DU MODÈLE	DISTANCE (A-B)	RAYON (R)	LARGEUR (D)	LONGUEUR TOTALE (E)	TRANCHÉE (F)
10'x16'	1,82m (6' 0")	1,67m (5' 6")	3,35m (11')	5,18m (17' 0")	2,08m (6' 10")
10'x19'	2,75m (9' 0")	1,67m (5' 6")	3,35m (11')	6,09m (20' 0")	2,99m (9' 10")
10'x22'	3,65m (12' 0")	1,67m (5' 6")	3,35m (11')	7,01m (23' 0")	3,91m (12' 10")
12'x18'	1,82m (6' 0")	1,98m (6' 6")	3,96m (13')	5,79m (19' 0")	2,08m (6' 10")
12'x21'	2,75m (9' 0")	1,98m (6' 6")	3,96m (13')	6,70m (22' 0")	2,99m (9' 10")
12'x24'	3,65m (12' 0")	1,98m (6' 6")	3,96m (13')	7,62m (25' 0")	3,91m (12' 10")
15'x24'	2,75m (9' 0")	2,43m (8')	4,87m (16')	7,62m (25' 0")	2,99m (9' 10")
15'x30'	4,57m (15' 0")	2,43m (8')	4,87m (16')	9,44m (31' 0")	4,82m (15' 10")
18'x33'	4,57m (15' 0")	2,89m (9' 6")	5,79m (19')	10,36m (34' 0")	4,82m (15' 10")

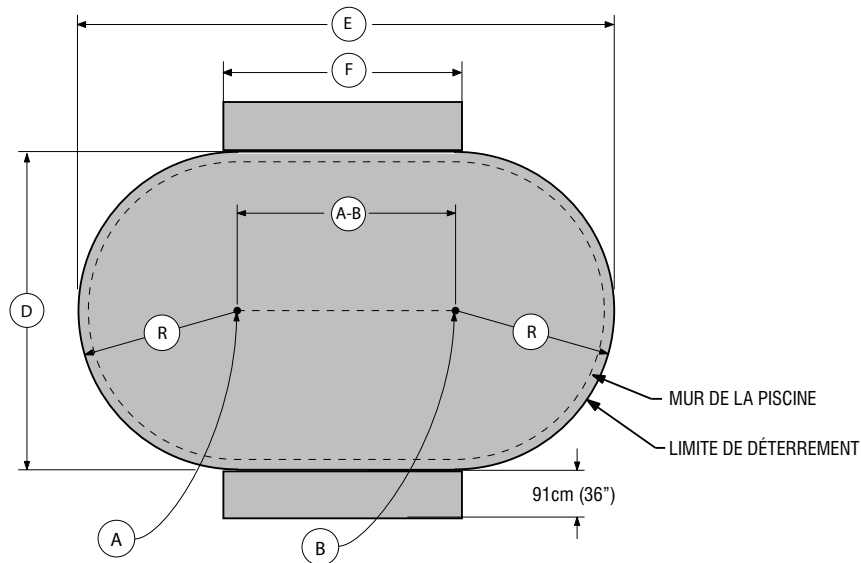
Choisissez l'emplacement idéal pour votre piscine en tenant compte des lois municipales sur la distance des clôtures, celles des services publics sur la distance des fils électriques, ainsi que l'aménagement paysager prévu après l'installation.

1

PRÉPARATION DE L'EMPLACEMENT (suite)

- 1) Plantez un pieu aux points A et B en respectant la distance de la section centrale entre ces deux points (A-B).
- 2) Tracez deux demi-cercles selon le bon rayon (R).
- 3) Joignez les deux demi-cercles par des lignes droites en s'assurant de respecter la largeur entre ces deux lignes (D).
- 4) Vérifiez que la longueur totale soit conforme (E).
- 5) Ajoutez ensuite sur chaque côté des tranchées d'une largeur de 89 cm (36") et d'une longueur correspondante (F).
- 6) Enlevez la pelouse sur toute la surface délimitée.

Figure 1.1



2

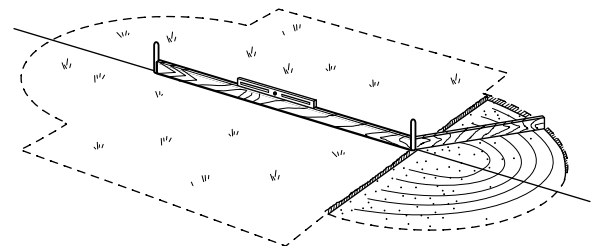
NIVELLEMENT DU TERRAIN ET EXCAVATION

NIVELLEMENT DU TERRAIN

Pour une installation de piscine ovale on doit absolument faire un fond plat. Nivelez la surface très attentivement en utilisant un niveau de menuisier et une planche très droite. Éliminez toutes les petites buttes de terre. Assurez-vous d'avoir un terrain exempt de tous débris tels que pierres, bois, etc.

TRANCHÉES POUR L'EMPLACEMENT DES ÉQUERRES (COULOIRS)

- 1) Creusez des couloirs pour atteindre une profondeur égale à l'épaisseur des dalles de ciment (dalles de 2" recommandées).
- 2) S'assurez que ces couloirs soient plats et de niveau sans les compacter.
- 3) Disposez les dalles de ciment dans les tranchées en s'assurant qu'elles soient de niveau et que le dessus des dalles arrive au niveau de la surface du sol. Une fois que les équerres y sont déposées, le dessous des équerres doit être de niveau avec la surface du sol prévue pour la piscine.



Afin de s'assurer du bon drainage du terrain au pourtour de la piscine, vous devez ériger une pente de deux (2) degrés pour favoriser le drainage de l'eau. La pente de drainage est très importante. LE MANUFACTURIER DÉCLINE TOUTE RESPONSABILITÉ DÉCOULANT DE L'OMISSION DE CETTE ÉTAPE.

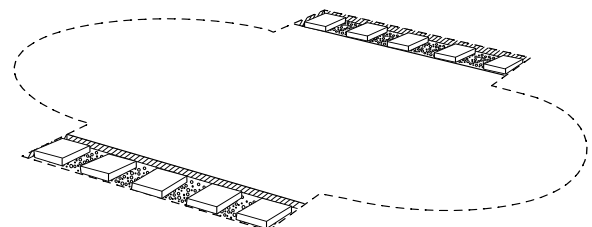


Tableau: Quantités de sable

MODÈLES	10x16, 10x19	10x22, 12x18, 12x21, 12x24	15x24, 15x30	18x33
SABLE	1 tonne	1 - 1/2 tonne	2 tonnes	3 tonnes

3

INSTALLATION DU DRAIN DE FOND (optionnel)

Creusez un trou de 30 cm (12") de largeur par environ 25 cm (10") de profondeur en plein centre de la circonférence.

Creusez une tranchée d'environ 15 cm (6") de largeur à partir du trou central jusqu'à l'emplacement du moteur de la piscine. La terre retirée sera déposée à côté de la tranchée car elle servira à enterrer le tuyau.

Assemblage du drain

Placez du téflon autour du bouchon fileté et vissez-le dans le trou du drain. Collez le raccord dans l'ouverture prévue à cet effet.

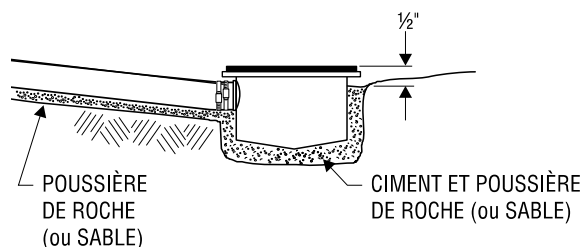
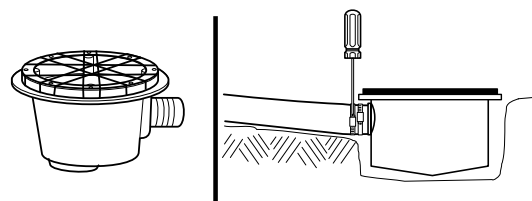
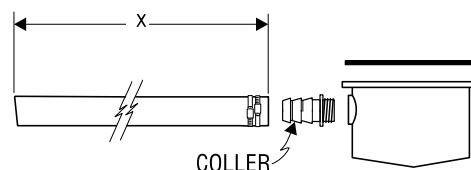
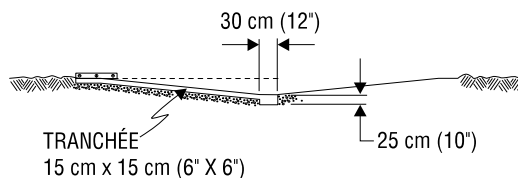
Prenez une des rondelles de caoutchouc et ajustez-la sur le dessus du drain en prenant bien soin d'aligner les trous. Fixez-la ensuite avec des lanières de ruban adhésif afin d'éviter que le sable ne pénètre dans les trous une fois le drain installé.

Fixez une des extrémités du long tuyau noir ou blanc dans l'embout du drain, en prenant soin au préalable d'appliquer de la colle sur l'embout du drain et à l'intérieur de l'extrémité du tuyau. Et, surtout, entourez-le d'un ou deux collets.

Coupez le tuyau de façon à ce qu'il se termine avec la fin de la poussière de roche ou de sable. On calcule le rayon de la piscine plus 15 cm (6") à partir du centre du drain.

Placez le drain de fond assemblé dans le trou de façon à ce qu'il soit environ 1,3 cm (1/2") plus haut que la terre de surface. Enterrez le tuyau en plaçant le drain le plus possible de niveau. Compactez avec les pieds et le pilon.

Mélangez trois pelletées de poussière de roche ou de sable avec une demi-pelletée de ciment pur et un peu d'eau et coulez ce ciment autour du drain jusqu'à 1,3 cm (1/2") sous le dessus du drain.



4

ASSEMBLAGE DES BANDES DE TENSION

1) Consultez les illustrations et le tableau et étudiez-les attentivement. Vous pouvez maintenant assembler les bandes de tension métalliques. Référez-vous aux indications du tableau pour le nombre de rangées de bandes métalliques à assembler et le nombre de bandes par rangée en fonction des dimensions de piscine.

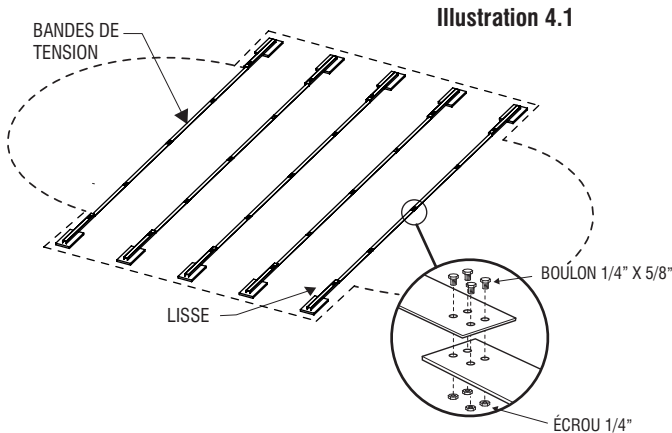
Tableau

MODELE	10x16	10x19	10x22	12x18	12x21	12x24	15x24	15x30	18x33
NOMBRE DE BANDES TOTAL	9	12	15	9	12	15	16	24	30
NOMBRE DE RANGÉES À ASSEMBLER	3	4	5	3	4	5	4	6	6
NOMBRE DE BANDES PAR RANGÉE	3	3	3	3	3	3	4	4	5

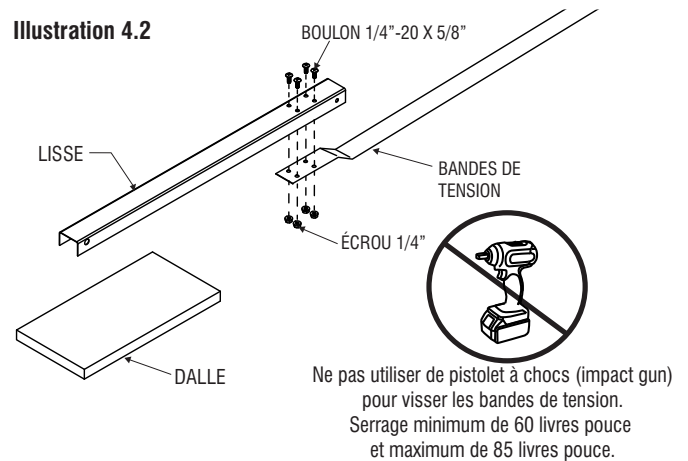
4

ASSEMBLAGE DES BANDES DE TENSION (suite)

2) Se référer à l'illustration 4.1: S'il y a plusieurs bandes par section, assemblez les bandes de tension ensemble avec 4 boulons et écrous (BB) 1/4" #20 X 5/8" (6,35 mm X 15,88 mm), en prenant soin de placer la tête du boulon sur le dessus.



3) Se référer à l'illustration 4.2: Fixez les bandes de tension ainsi assemblées aux lisses des deux côtés, à l'aide de quatre (4) boulons et écrous (BB) 1/4" #20 X 5/8" (6,35 mm X 15,88 mm).



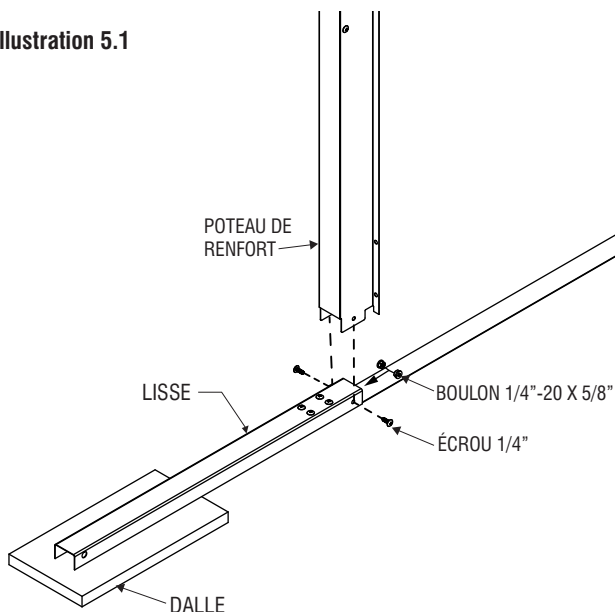
5

ASSEMBLAGE DES POTEAUX DE RENFORT

1) Se référer à l'illustration 5.1. Assemblez les poteaux de renfort aux lisses en alignant l'extrémité du poteau de renfort avec les deux trous à l'extrémité de la lisse. Fixez-les ensemble à l'aide de deux (2) boulons et écrous (BB) 1/4" #20 X 5/8" (6,35 mm X 15,88 mm).

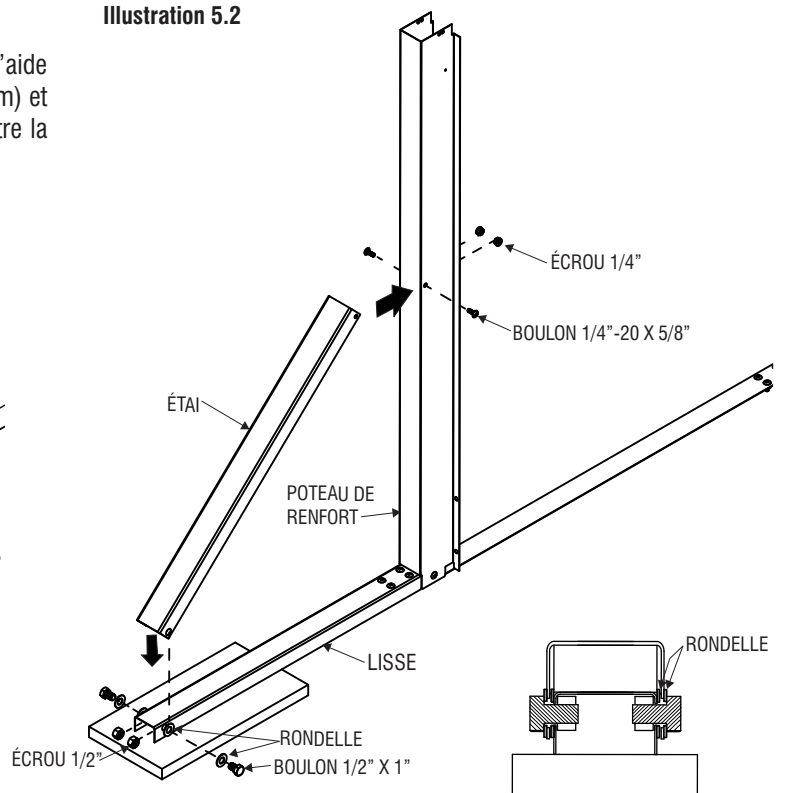
2) Se référer à l'illustration 5.2. Fixez les étais aux lisses à l'aide de deux (2) boulons et écrous 1/2" X 1" (12,7mm X 25,4 mm) et quatre (4) rondelles. Assurez-vous d'insérer une rondelle entre la lisse et l'étau.

Illustration 5.1



Fixez ensuite l'autre extrémité des étais aux poteaux de renfort à l'aide de deux (2) boulons et écrous 1/4" #20 X 5/8" (6,35 mm X 15,88 mm).

Illustration 5.2



6

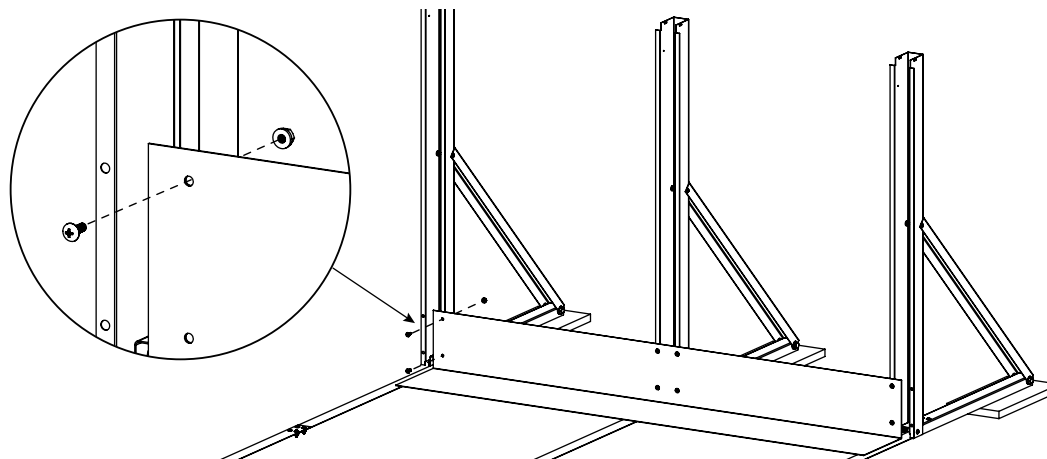
ASSEMBLAGE DES ANGLES DE BASE

1) Positionnez les poteaux de renfort assemblés de l'étape 5 sur les dalles préalablement positionnées.

2) **Se référer à l'illustration 6.1** : une fois les poteaux de renfort disposés sur les dalles, installez les angles de base de la section

droite devant les poteaux de renfort sur les bandes de tension. Fixez les angles de base aux poteaux de renfort à l'aide de huit (8) boulons et écrous (BB) 1/4" #20 X 5/8" (6,35 mm X 15,88 mm), en prenant soin de placer la tête du boulon sur l'angle de base et l'écrou sur le poteau de renfort.

Illustration 6.1



7

ASSEMBLAGE DES RAINURES DES SECTIONS RONDES

Début de la section ronde, se référer à l'illustration 7.1 :

Installez les agrafes de rainure à l'aide d'un boulon et écrou 1/4"#20 X 5/8" (6,35 mm X 15,88 mm) à la base des quatre poteaux de renfort. Insérez le bout court de la première rainure du bas dans l'agrafe à la base du dernier poteau de la section droite. À l'autre bout de la rainure, placez la première plaque du bas de la section ronde.

Section ronde, se référer à l'illustration 7.2 :

Prenez les rainures du bas et les plaques du bas et commencez par la première plaque de la section ronde. Répétez jusqu'à ce que le "demi-cercle" soit complété.

Se référer à l'illustration 7.3. Avant de procéder à l'étape suivante, assurez-vous que le centre de votre piscine soit au trait carré et que les bandes de métal soient bien tendues.

Illustration 7.3

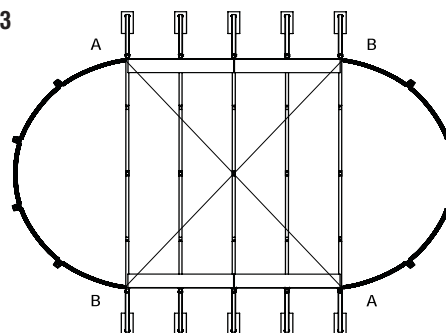


Illustration 7.1

*Rainures résine 211 seulement.

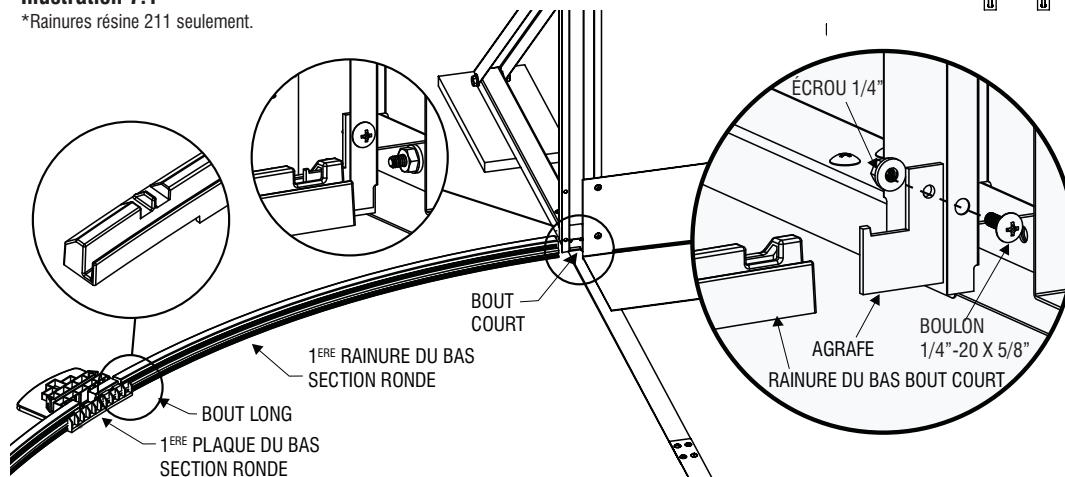
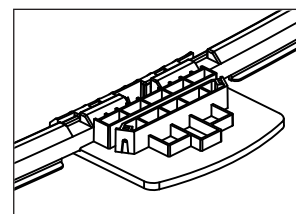


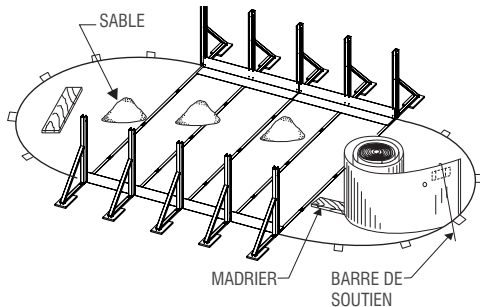
Illustration 7.2



Déversez le sable.

Choisissez l'emplacement du filtreur vis-à-vis une section ronde (jamais une section droite). Le point de départ se fera vis-à-vis cet emplacement pour que les trous d'écumoire et de retour d'eau soient les plus près possible du filtreur. **Lors de l'installation du mur d'acier, il est important de le faire à un endroit protégé du vent ou lors d'une journée sans vent.**

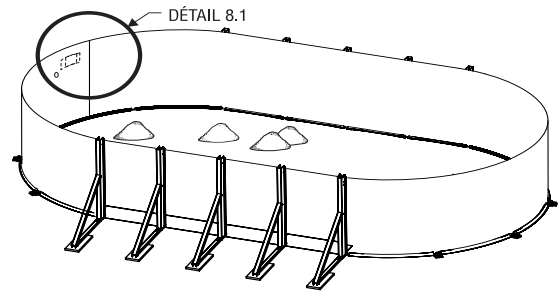
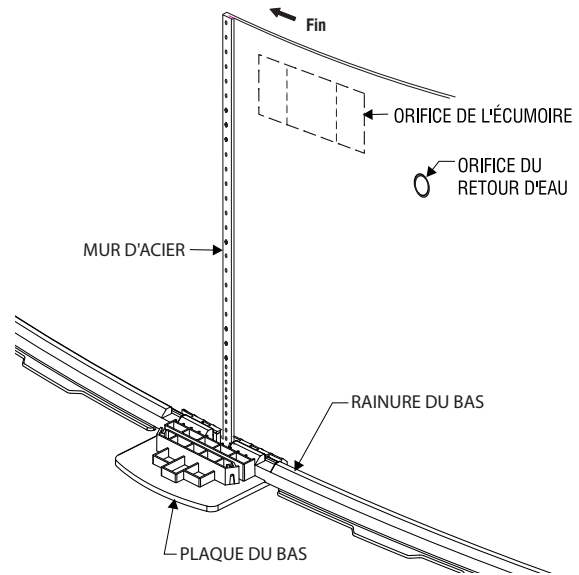
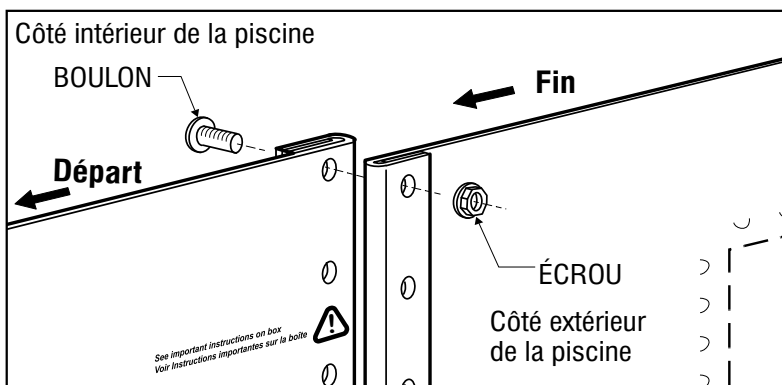
Avant de dérouler le mur d'acier, assurez-vous que les orifices prévus pour l'écumoire et le retour d'eau se trouvent bien au haut du mur et face à l'endroit où se trouvera le filtreur.



Insérez le mur d'acier dans la rainure du bas en commençant au centre d'une plaque du bas. Au départ, une ou deux barres de soutien maintiennent le mur en place. Une personne déroule le mur d'acier sur un madrier ou une planche, tandis qu'une autre personne l'insère dans la rainure du bas. On ne doit pas dérouler plus de 3 m (10') sans mettre en place une barre de soutien pour renforcer la structure.

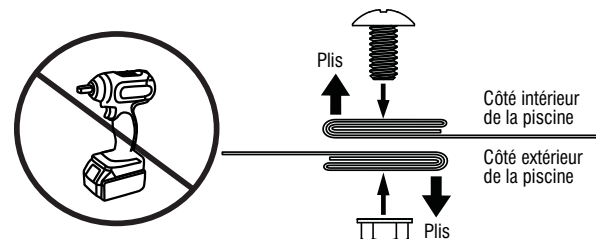
Une fois le déroulage terminé, il peut arriver que le mur d'acier soit trop long ou que les deux extrémités ne se rejoignent pas de quelques centimètres. Vous devez alors ajuster les rainures aux plaques pour que les trous des boulons du mur d'acier soient alignés. Si cela ne suffit pas, il vous faudra rouler le mur d'acier, révéifier les mesures en vous référant à illustration 1.1, ajuster les rainures et les plaques s'il y a lieu et recommencer le déroulage. Si l'écart est trop grand, mesurez la longueur du mur d'acier et comparez-la au tableau ci-dessous.

Illustration 8.1



Joindre les bouts du mur en orientant les plis vers l'extérieur de façon à cacher l'icône d'exclamation. (voir l'illustration 8.1)
Note: Si le mur est joint correctement, vous ne devriez plus voir l'icône d'exclamation. Si vous pouvez toujours voir l'icône, vous devez inverser le chevauchement.

Sécurisez-le avec la boulonnerie dans chaque trou et bien sécuriser avec une clé (la tête du boulon doit être à l'intérieur du mur d'acier). Placer un ruban adhésif en toile sur les têtes de vis.



IMPORTANT : Ne pas utiliser de pistolet à chocs (impact gun) pour visser les vis à mur. Serrage minimum de 60 livres pouce et maximum de 85 livres pouce.

IMPORTANT! L'installation du joint de mur de façon non-conforme aux spécifications dictées par le fabricant annulera la garantie. De plus, une installation fautive causera la rupture du mur/joint ce qui pourrait entraîner des blessures graves et/ou même la mort!

Tableau

MODELES	10x16	10x19	10x22	12x18	12x21	12x24	15x24	15x30	18x33
LONGUEUR RÉELLE DU MUR D'ACIER	43' 8" (13,30m)	49' 8" (15,14m)	55' 9" (17,00m)	49' 8 1/2" (15,16m)	55' 9 3/8" (17,00m)	61' 9 3/8" (18,83m)	65' 2 1/2" (19,88m)	77' 2 1/2" (23,53m)	86' 7 1/2" (26,40m)

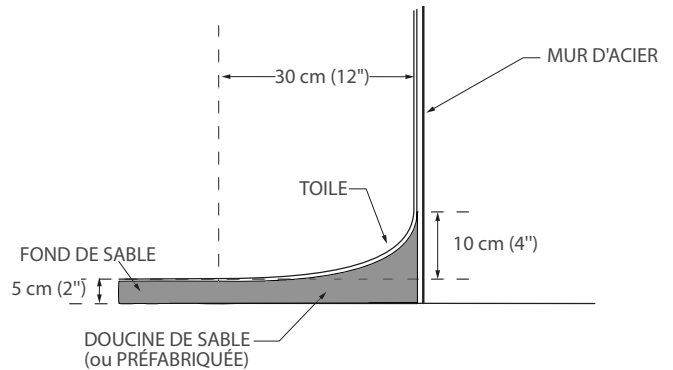
9

FINITION DU FOND

Étendez maintenant environ 10 cm (4") de sable à compactage au bas du mur intérieur de façon à former un remblai destiné à protéger la toile des extrémités coupantes des rainures du bas et de la poussière de roche (si applicable). Ou bien, installez une doucine préfabriquée, si disponible.

FINITION DU FOND DE SABLE

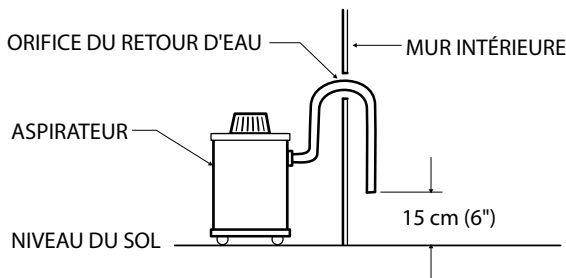
Égalisez une dernière fois le sable de finition. Assurez-vous qu'il ne subsiste en surface aucune roche coupante, débris ou racine. Pour une meilleure protection, arrosez le sable et tassez-le de nouveau jusqu'à ce que le fond soit bien lisse.



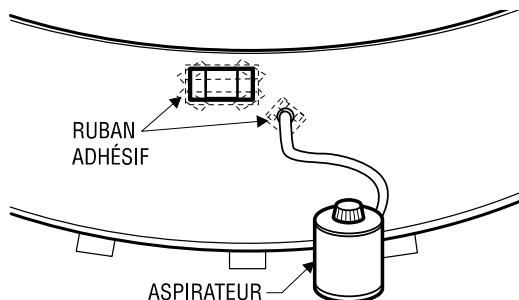
10

INSTALLATION DE LA TOILE DE VINYLE

Avant de placer la toile contre la paroi du mur d'acier, introduisez le boyau d'un aspirateur dans l'orifice du retour d'eau jusqu'à environ 15 cm (6") du sol.

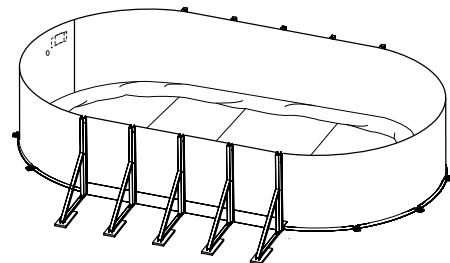


Fixez le boyau en place à l'aide de ruban adhésif. Bouchez également l'orifice de l'écumoire avec du ruban adhésif afin d'éliminer les fuites d'air.



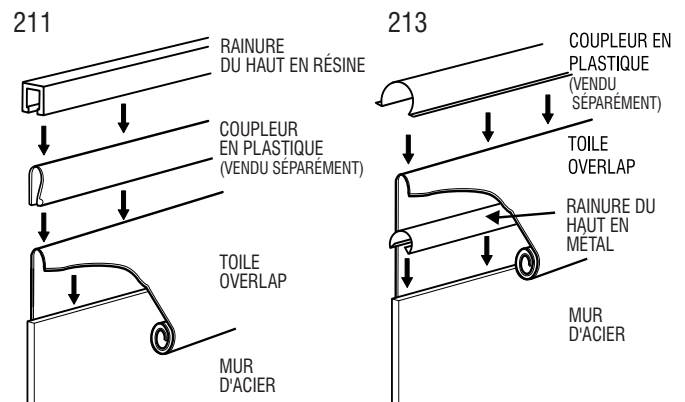
Déposez la toile pliée au centre de la piscine perpendiculaire à l'orifice de l'écumoire. Prenez soin de porter des chaussures légères à semelles plates pour vous déplacer sur le fond de sable car la moindre empreinte de talon pourrait être visible une fois la piscine remplie.

Dépliez délicatement la toile, amenant la bordure près de la base du mur. Assurez-vous que le côté rugueux de la toile soit dessous et que le côté avec motif soit sur le dessus.



Amenez la toile par-dessus le sommet du mur en laissant excéder entre 10 cm à 15 cm (4" à 6") à l'extérieur du mur. Maintenez ensuite la toile en place, à l'aide d'un coupleur de plastique (pas inclus). Installez la rainure du haut en résine sur le mur et installez la plaque du haut sur chacun des poteaux.

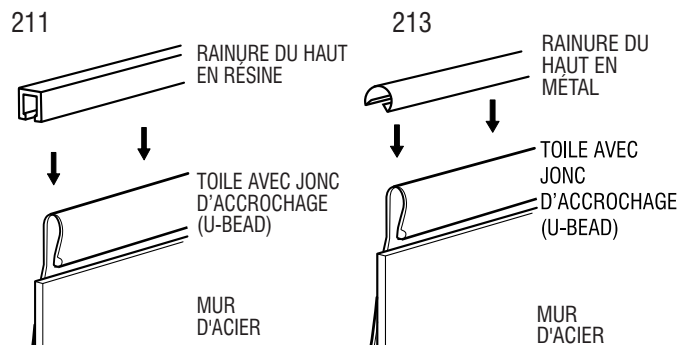
Vers la fin de cette étape, il peut arriver que la toile soit trop tendue et difficile à rabattre, ou qu'elle soit au contraire trop lâche. Vous devrez alors retirer certains coupleurs et ajuster de nouveau la toile afin de mieux répartir la tension.



10

INSTALLATION DE LA TOILE DE VINYLE (SUITE)

Détail de l'installation de la toile avec jonc d'accrochage.
Accrochez la toile sur le sommet du mur et installez la rainure du haut par dessus la toile.



L'aspirateur est ensuite mis en marche pour que la toile adhère à la paroi du mur. C'est à ce moment que vous verrez si elle est trop tendue dans le bas ou si elle est plissée à certains endroits. Ajustez la toile en enlevant au besoin des coupleurs pour la soulever ou pour l'abaisser afin de lui donner une forme parfaite.

Finalement, vous pouvez introduire l'eau et la laisser monter jusqu'au bas du mur avant d'arrêter l'aspirateur et de le retirer.

RETOUR D'EAU

Vous pouvez installer le retour d'eau une fois l'aspirateur retiré. Placer l'anneau de retour d'eau contre la toile et ajustez-le de façon à ce qu'il soit parfaitement aligné avec le trou du mur.

Une fois l'anneau ajusté et maintenu en place coupez la toile au centre de l'anneau. Insérez le retour d'eau de l'intérieur en plaçant le premier joint entre le retour d'eau et la toile et le deuxième joint entre le mur et la toile. Ensuite, serrez l'anneau de l'extérieur avec de grosses pinces, en faisant attention de ne pas plisser la toile.

DRAIN DE FOND (optionnel)

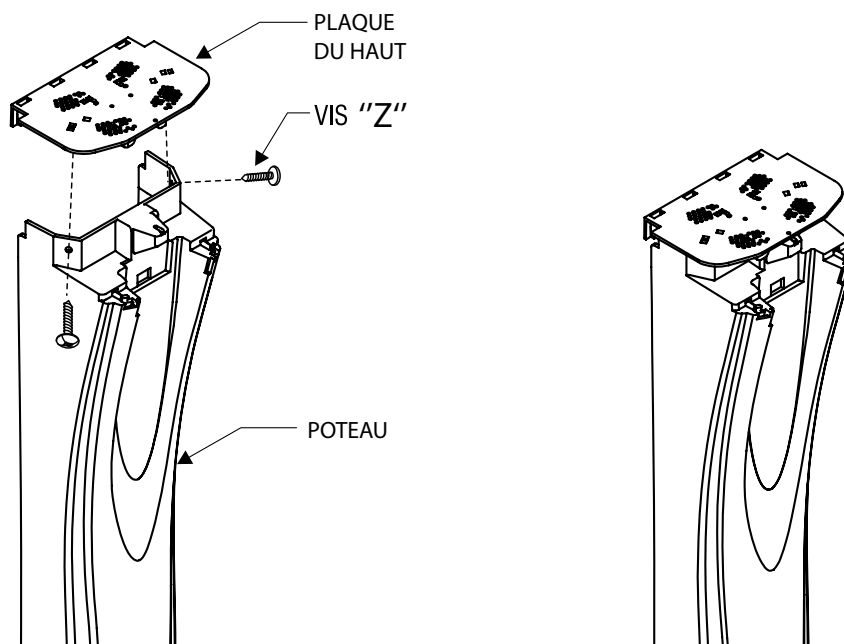
Palpez le milieu de la toile afin de trouver les trous. Vissez ensuite l'anneau et son joint contre la toile avant de découper la toile du centre de l'anneau, puis vissez le couvercle du drain.

11

INSTALLATION DES PLAQUES DU HAUT (section ronde)

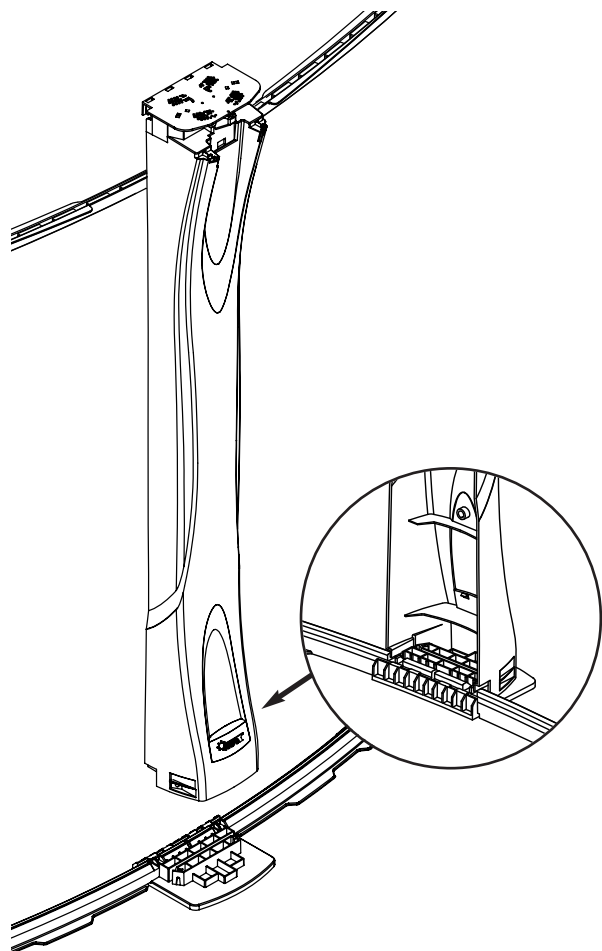
Déposez les plaques du haut sur les parties supérieures des poteaux.

Maintenez-les en place à l'aide de (2) vis "Z" de chaque côté de la plaque.



12

INSTALLATION DES POTEAUX (section ronde)

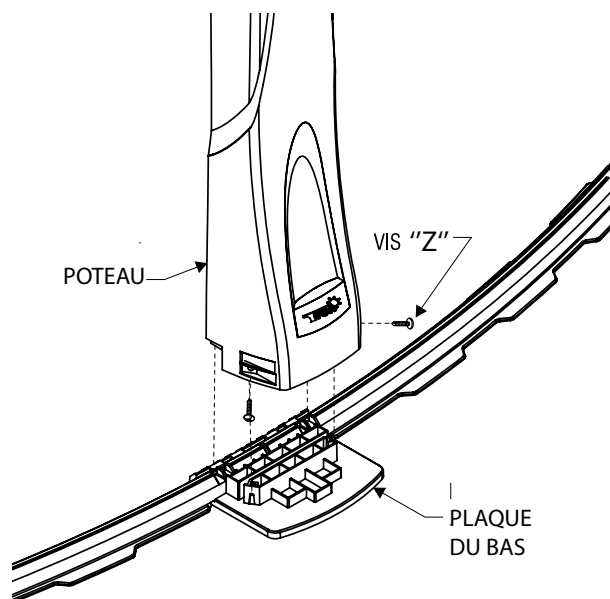


Pour la section ronde:

Fixez les poteaux aux plaques du bas à l'aide de deux (2) vis "Z" que vous trouverez dans le sac de quincaillerie.

Le poteau rentre dans les deux encoches de la rainure du bas.

Il est à noter que les poteaux s'installent à l'extérieur de la partie retroussée de la plaque du bas.



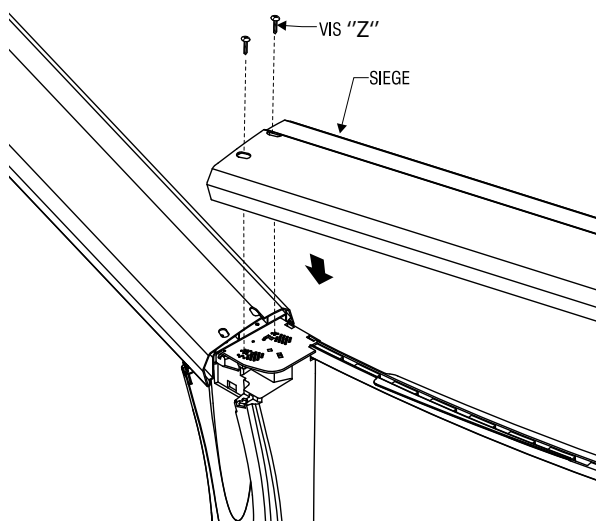
13

INSTALLATION DES SIÈGES

Assurez vous de vérifier la verticalité des poteaux avant de placer les sièges.

Placez les sièges sur les parties supérieures des poteaux.

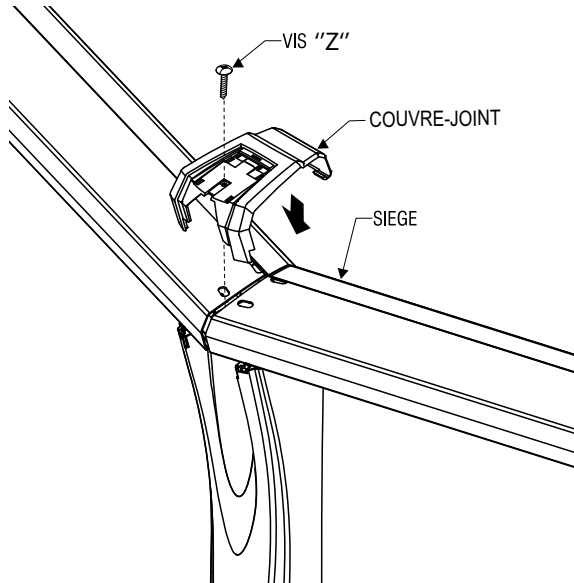
Centrez les sièges entre les deux poteaux et maintenez-les en place à l'aide de quatre (4) vis "Z".



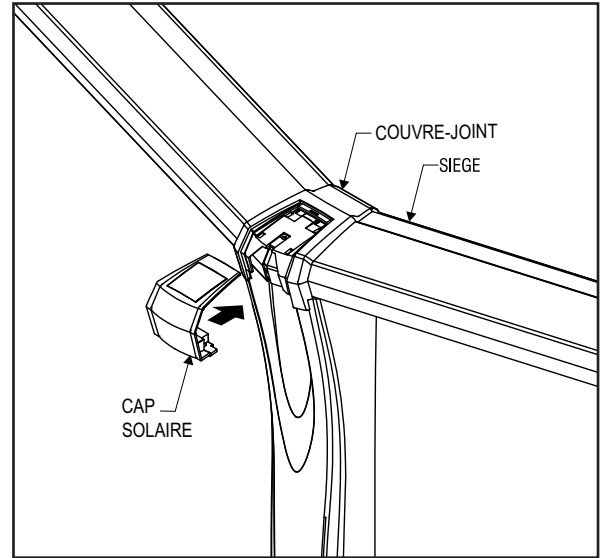
14

INSTALLATION DU COUVRE-JOINT

Accrochez le couvre-joint sur le rebord intérieur des sièges et l'enclenchez sur le poteau.
Fixez-le à l'aide d'une vis "Z" sur le dessus.



Accrochez le cap solaire dans la partie supérieure du couvre-joint et enclenchez-le à la base du couvre-joint.



15

INSTALLATION DES ÉTIQUETTES

Le propriétaire est responsable de l'installation de toutes les étiquettes de sécurité.

Étiquettes SSE (4) :

Les étiquettes de sécurité doivent toujours être visibles de tous les points d'entrées potentiels de la piscine. Assurez-vous également d'installer des étiquettes de sécurité à tous les points d'accès de votre cour.

Étiquette PAPTH (1) :

L'étiquette doit être installée à l'entrée de la piscine, visible et jamais couverte.



Important: Si vous désirez des étiquettes supplémentaires, s'il-vous-plaît communiquez avec nous au Trevipools.com

16

MONTAGE DU SYSTÈME DE FILTRATION

Assemblez l'écumoire, le drain de fond, le retour d'eau et le système de filtration selon les instructions d'assemblage des fabricants.

Note : Voir les "Informations de sécurité".

17

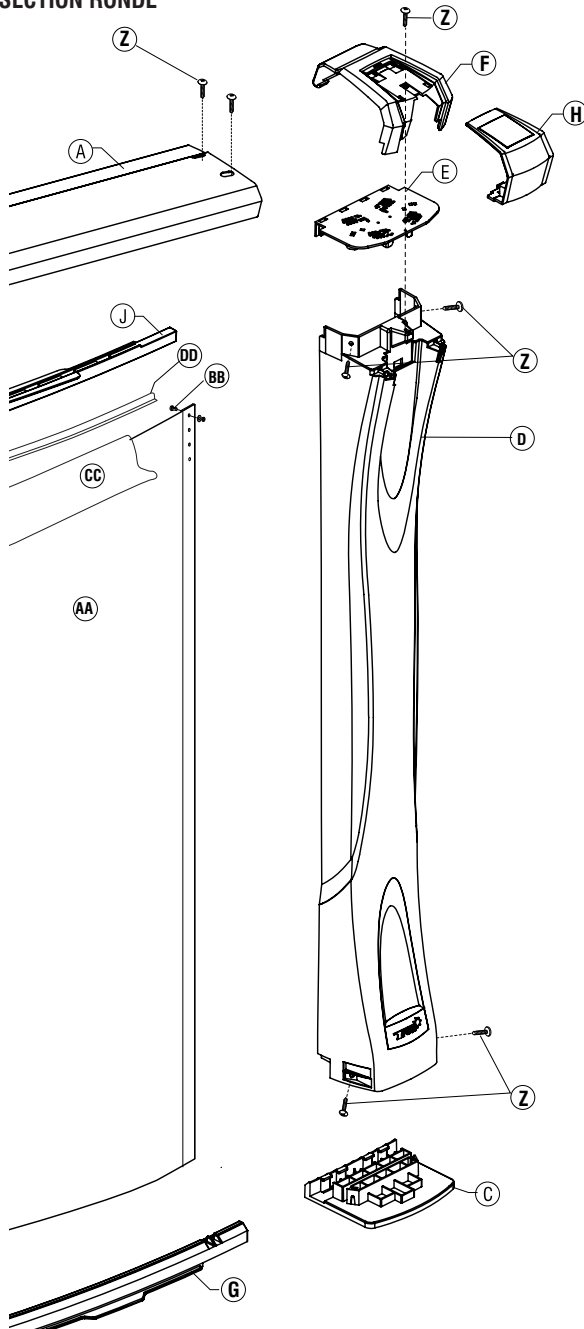
LISTE DES PIÈCES

* VOIR LE DESSIN DES PIÈCES SUR LA PROCHAINE PAGE

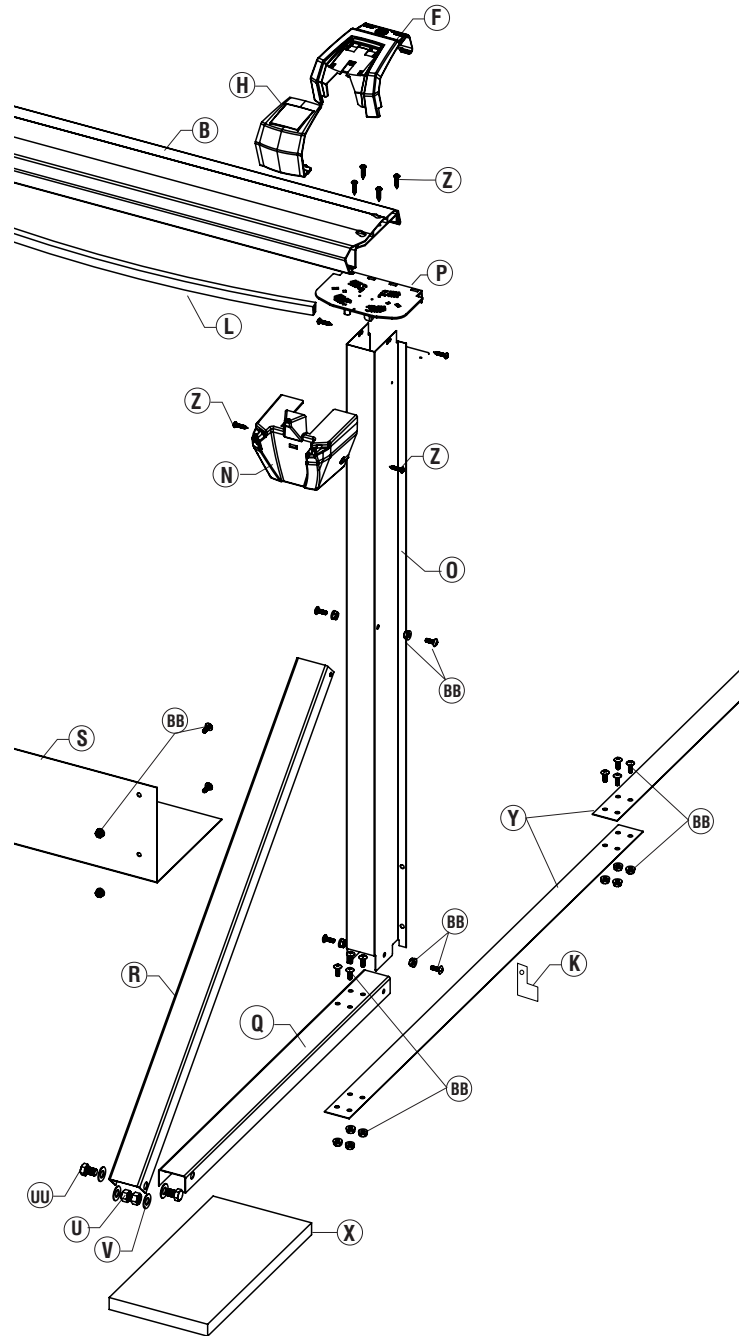
ITEM	DESCRIPTION
AA	MUR D'ACIER (LONGUEUR RÉELLE, PIEDS-POUCES)
BB	BOULON & ÉCROU POUR PAROI 52" (OU 54")
CC	TOILE INTÉRIEURE
DD	COUPLEUR EN PLASTIQUE (VENDU SÉPARÉMENT)
A	SIÈGE - SECTION RONDE
B	SIÈGE - SECTION DROITE
C	PLAQUE DU BAS
D	POTEAU 52" OU 54"
E	PLAQUE DU HAUT
F	COUVRE-JOINT DE SIÈGE
G	RAINURE DU BAS - SECTION RONDE
H	CAP SOLAIRE
J	RAINURE DU HAUT - SECTION RONDE
ASSEMBLAGE PILLIER DE SUPPORT	
K	AGRAFE À RAINURE
L	RAINURE DU HAUT - SECTION DROITE
N	EXTENSION DU COUVRE JOINT - SECTION DROITE
O	POTEAU DE RENFORT
P	PLAQUE DU HAUT - SECTION DROITE
Q	LISSE
R	ÉTAI
S	ANGLE DE BASE
U	BOULON 1/2" X 1" (12,7 mm X 25,4 mm)
UU	ÉCROU 1/2" (12,7 mm)
V	RONDELLE 1/2" (12,7 mm)
X	DALLE DE CIMENT
Y	BANDE DE TENSION
BB	BOULON ET ÉCROU 1/4" #20 X 5/8" (6,35 mm X 15,88 mm)
Z	VIS STANDARD (VIS #14 , 1" LONG.)

NOTE: Vérifiez les quantités avec la liste de vérification incluse dans les boîtes.

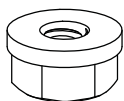
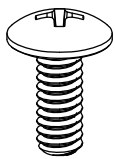
SECTION RONDE



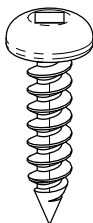
SECTION DROITE



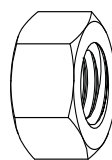
BB



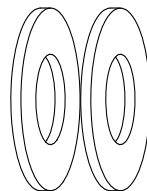
Z



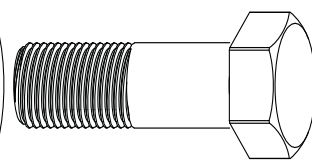
UU



V



U



LE PLAISIR PASSE D'ABORD ET AVANT TOUT PAR LA SÉCURITÉ

CONSIGNES DE SÉCURITÉ

Veillez lire ceci avant de procéder à l'installation de votre piscine hors terre.



12 775, rue Brault, Mirabel, Québec, Canada J7J 0C4
Téléphone : 1 888-777-0447

RENSEIGNEMENTS GÉNÉRAUX

Votre piscine peut être sujette à une usure et à une détérioration prématurée si elle n'est pas entretenue adéquatement. Cela pourrait entraîner une défaillance de la structure de la piscine, ce qui pourrait provoquer la libération de grandes quantités d'eau et causer des dommages, des blessures et même la mort.

Afin de s'assurer du bon drainage du terrain au pourtour de la piscine, vous devez ériger une pente de deux (2) degrés pour favoriser le drainage de l'eau. La pente de drainage est très importante. LE MANUFACTURIER DÉCLINE TOUTE RESPONSABILITÉ DÉCOULANT DE L'OMISSION DE CETTE ÉTAPE.

Avant de procéder à l'installation de votre piscine, il est conseillé de vous familiariser avec les règlements du code du bâtiment de votre localité, avec les règlements de zonage et avec le code d'électricité, puis déterminer si un permis de construction ou des travaux électriques sont nécessaires. Il se peut que les règlements de votre localité exigent que votre piscine soit installée selon certaines marges de retrait, que vous deviez installer une clôture ou autre dispositif, ou que vous vous soumettiez à d'autres exigences particulières.

AVERTISSEMENT: Toutes les composantes tels que le système de filtration, les pompes et le chauffe-eau doivent être installées de façon à ne pas pouvoir être utilisées par quiconque pour pénétrer

dans la piscine, ce qui risquerait de leur causer des blessures sérieuses et même entraîner la mort.

Nous ne sommes pas responsables des erreurs d'installation de votre piscine. Nous recommandons fortement de faire installer votre piscine par un professionnel. Nous ne sommes affiliés à aucun installateur de piscine et n'assumons aucune responsabilité pour les dommages résultant d'une mauvaise installation de la part de l'acheteur ou d'un installateur professionnel. L'acheteur doit superviser l'installation de la piscine afin de s'assurer que les méthodes d'installation soient conformes au manuel d'installation inclus avec votre piscine. Des autocollants «**NE PAS PLONGER NE PAS SAUTER**» et «**PRÉVEZ LA NOYADE**» sont fournis avec votre piscine. Ils doivent être apposés sur la paroi intérieure de votre piscine, au dessus du niveau de l'eau. Toute personne entrant dans la piscine devrait pouvoir voir ces autocollants.

Si vous désirez obtenir des autocollants additionnels, vous pouvez en commander au 1 888-777-0447. Nous ne fabriquons pas d'échelles ni de marches de piscine : votre échelle ou vos marches doivent rencontrer les normes de sécurité ainsi que celles de votre région. Une utilisation sécuritaire de l'échelle de la piscine est déterminante dans la prévention d'accidents. Veuillez vous référer au manuel d'utilisateur de votre échelle pour de plus amples renseignements.

ÉQUIPEMENT DE SÉCURITÉ

Pour votre propre protection et pour la sécurité des autres, nous recommandons que le matériel de sauvetage soit accessible en tout temps.

Nous recommandons de se procurer le matériel suivant :

Une perche légère, résistante et rigide d'au moins 4 mètres de long ou une corde mesurant au moins 0,6 cm de diamètre et au moins une fois et demi (1,5x) la largeur ou le diamètre de votre piscine. La corde doit être solidement attachée à une bouée d'environ 40 cm de diamètre extérieur, approuvée par la garde côtière.

CONSEILS DE SÉCURITÉ POUR L'ÉCHELLE

Malgré le fait que nous ne soyons pas fabricant d'échelles, l'utilisation appropriée d'une échelle fait partie des mesures de sécurité liées à l'utilisation de votre piscine.

Les normes ANSI exigent que toutes les piscines soient munies d'une échelle de piscine fixe et conforme, pour entrer dans la piscine et en sortir. L'acheteur doit suivre les instructions d'installation du fabricant de l'échelle de piscine.

Nous suggérons de suivre les règles suivantes lors de l'utilisation de votre échelle :

- Une seule personne à la fois sur l'échelle;
- Lorsque vous montez ou descendez de l'échelle, vous devez faire face à cette dernière;
- **NE PAS PLONGER NI SAUTER** des marches ou de l'échelle;
- Vérifiez tous les écrous et boulons régulièrement pour s'assurer que l'échelle ne représente aucun danger;
- Expliquez à tous les utilisateurs les règles d'utilisation des échelles et des marches.

CONSIGNES DE SÉCURITÉ LORS DE L'UTILISATION DE LA PISCINE

- 1** • Partager les consignes de sécurité avec votre famille, vos amis, les surveillants de la piscine ou vos voisins.
- 2** • S'assurer que l'installateur de la piscine ou celui qui changera la toile de vinyle appose les autocollants de consignes de sécurité sur la toile (à l'intérieur de la piscine au dessus du niveau de l'eau ou bien en vue sur la structure extérieure de la piscine).
- 3** • Ne jamais plonger, sauter ou glisser dans une piscine hors terre, car il y a un risque élevé de frapper le fond de la piscine et de provoquer des blessures graves ou même la mort. Veuillez toujours utiliser l'échelle ou la marche de la piscine pour y entrer et en sortir, et assurez-vous de toujours descendre les pieds en premier. Pour de plus amples renseignements, veuillez consulter les instructions du fabricant de votre échelle de piscine.
- 4** • Ne jamais se baigner seul.
- 5** • Alcool et drogues ne vont pas de pair avec la sécurité. Les personnes sous l'emprise de l'alcool ou de la drogue devraient se voir interdire l'accès à la piscine.
- 6** • La surveillance des baigneurs par un adulte est requise. Ne jamais quitter les baigneurs des yeux, et ce, même pour quelques secondes. Désignez un surveillant adulte en votre absence. Assurez-vous, ainsi que votre surveillant, d'être en mesure d'intervenir en moins de 10 secondes lorsqu'un danger est imminent.
- 7** • Lors de la disparition d'un enfant, regardez toujours en premier dans la piscine.
- 8** • Soyez prévoyants et proactifs pour éviter toute noyade ou invalidité.
- 9** • Il est fortement recommandé aux propriétaires et aux surveillants de la piscine de suivre un cours de Réanimation Cardio Respiratoire (RCR).
- 10** • ATTENTION! Une toile d'hiver ou solaire n'est pas considérée comme un équipement de sécurité pouvant éviter la noyade ou une invalidité permanente. Lors de la baignade, veuillez retirer complètement la toile solaire : cette dernière pourrait empêcher le baigneur de respirer en remontant à la surface.
- 11** • Assurez-vous de posséder un équipement de secourisme adéquat, tel qu'une perche avec crochet et une bouée de sauvetage, près de la piscine.
- 12** • Assurez-vous qu'un téléphone fonctionnel soit à la portée de la main du surveillant. NOTE : si le service 911 n'est pas disponible dans votre localité, veuillez vous assurer que le numéro des services de secours soit facilement accessible.
- 13** • Certains accidents causés par le système de filtration peuvent survenir lors de la baignade:
 - Les cheveux peuvent être aspirés par le drain de fond ou l'écumoire. SOLUTION : assurez-vous que les baigneurs avec cheveux longs portent un bonnet de bain.
 - Les doigts, les orteils, les bijoux et le maillot de bain peuvent rester pris dans le drain de fond. SOLUTION : assurez-vous que le couvercle de drain soit présent et en bon état.
 - Le ventre, le dos ou le bas du dos peuvent rester collés sur le drain. SOLUTION : assurez-vous que la succion du drain soit partagée avec l'écumoire ou complètement fermée.
- 14** • Le circuit électrique doit être conforme au code électrique de votre région.
- 15** • Lors de baignades nocturnes, un système éclairage doit permettre de voir la piscine, l'échelle, les consignes de sécurité ainsi que le trajet pour se rendre à la piscine ou en sortir.
- 16** • Tout appareil électrique doit être installé à une distance suffisante de la piscine, afin que quiconque les escaladerait ne puisse atteindre la structure ou l'eau de la piscine.
- 17** • La plate-forme de la piscine (« deck », si installée) doit être libre de tout objet pouvant faire trébucher les usagers. Nous recommandons d'apposer une surface antidérapante sur la plate-forme pour éviter les chutes accidentelles. Vous devez vous assurer que la plateforme soit solide et stable, en effectuant une inspection régulière des boulons et des clous.
- 18** • Ne laissez personne s'asseoir, grimper, se tenir debout, plonger ou sauter de la bordure.
- 19** • Il est important que l'on puisse voir le fond de la piscine en tout temps, sans quoi vous devrez corriger la limpidité de l'eau avant la baignade.
- 20** • La marche ou l'échelle de la piscine doit être solidement fixée à la structure de la piscine ou à la plate forme. En tout temps, un mécanisme de sécurité doit empêcher toute personne, en particulier un enfant, d'accéder à l'eau de la piscine, sinon veuillez vous assurer que l'échelle soit retirée après la baignade. Veuillez consulter votre municipalité pour connaître les règlements locaux.